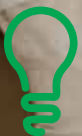


# Acti 9

## Distribution Boards

Inspiring the **S.M.A.R.T.** choice!!!

Technical Catalogue



Innovative



Efficient



Reliable

**Schneider**  
Electric™

# Acti 9

## Distribution Boards

### Spectacular Design

*Blends seamlessly with interiors*



Unique Rounded Corners | Color - RAL 9003 white | Designer Rotary Knob

### Maximized Wiring Space

*Convenient and Safe wiring*



Side mounted N-bar and E-bar



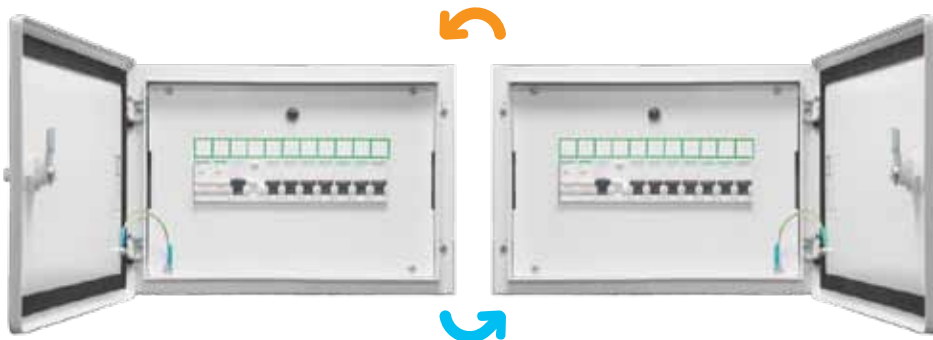
Removed all injurious sharp corners



15% more wiring area | Reduced U-box Collar | Removable Frame, Centre plate & Gland plate

### Adaptable

*Total Flexibility for ease of installation and usage*



Unique 5 holes mounting with positioning hole



Surface and Flush installation | Field fittable key lock provision | Reversible Door

Inspiring the **S.M.A.R.T.** choice!!!

## Robust Architecture

*Perfect blend of Strength & Weight*



High Strength-to-Weight ratio | RoHS and REACH Compliance – ideal solution for GREEN Buildings

## Technically Proven

*Safety Guaranteed*

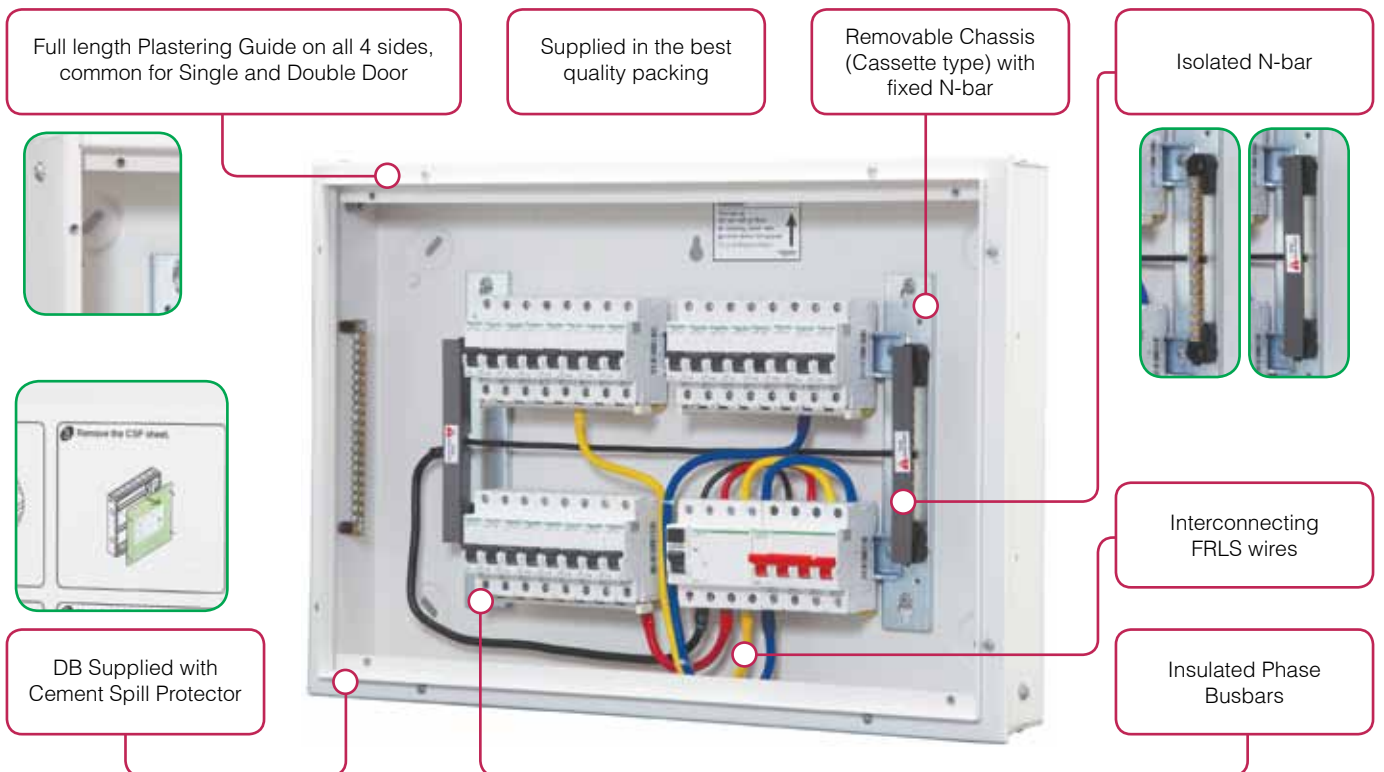
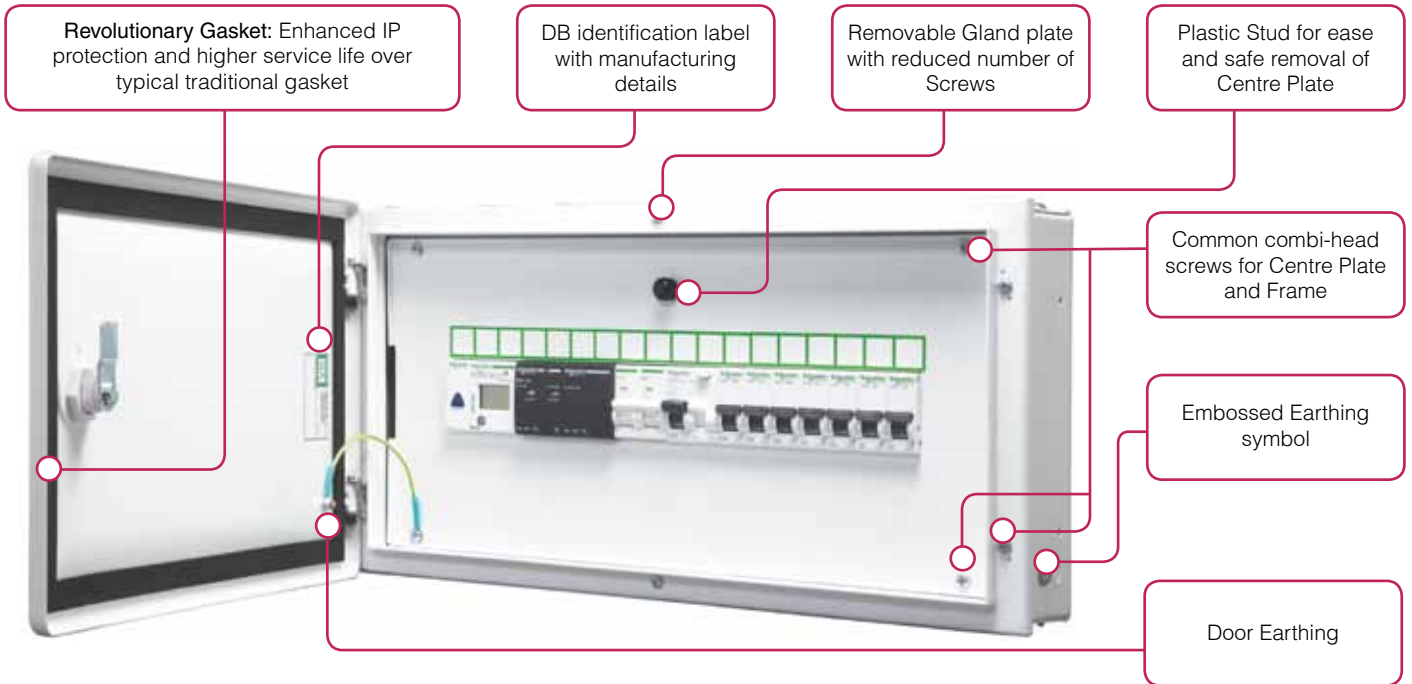


Designed and Manufactured as per IS 8623 - 1&3 | IP and IK test by ERDA & CPRI | Glow wire tested



# Acti 9

## Distribution Boards



### > Metal Enclosures

- Metal Enclosure to mount individual Modular Device feeding directly to the load or final distribution board



| Description | Total Module Cutout | Single Door (IP30) | Double Door - Metal (IP43) | Double Door - Glazed (IP43) | Double Door - Metal (IP54) |
|-------------|---------------------|--------------------|----------------------------|-----------------------------|----------------------------|
| 1 way       | 1 / 2               | A9HMES02           | -                          | -                           | -                          |
| 1 way       | 3 / 4               | A9HMES04           | -                          | -                           | -                          |

### > SPN DBs

- SPN DB for distribution of Single Phase Neutral supply to respective load MCBs
- Incomer - DP RCCB/RCBO/Isolator/MCB
- Outgoing - SP MCBs



| Description | Total Module Cutout (Incomer + Outgoing) | Single Door (IP30) | Double Door - Metal (IP43) | Double Door - Glazed (IP43) | Double Door - Metal (IP54) |
|-------------|--|--------------------|----------------------------|-----------------------------|----------------------------|
| 6 way       | 6  | A9HSNS06           | A9HSND06                   | A9HSND06T                   | A9HSND06Y                  |
| 8 way       | 8  | A9HSNS08           | A9HSND08                   | A9HSND08T                   | A9HSND08Y                  |
| 12 way      | 12                                       | A9HSNS12           | A9HSND12                   | A9HSND12T                   | A9HSND12Y                  |
| 18 way      | 18                                       | A9HSNS18           | A9HSND18                   | A9HSND18T                   | A9HSND18Y                  |

### > TPN DBs

- Standard TPN DBs for distribution of Three Phase and Neutral supply
- Incomer - FP RCCB/RCBO/Isolator/MCB
- Outgoing - SP MCBs
- TPN DBs can be converted to PPI DB with "PPI Kit" mentioned on page no. 8



| Description | Total Module Cutout (Incomer + Outgoing) | Single Door (IP30) | Double Door - Metal (IP43) | Double Door - Glazed (IP43) | Double Door - Metal (IP54) |
|-------------|--|--------------------|----------------------------|-----------------------------|----------------------------|
| 4 way eco   | 4 + 12                                   | -                  | A9HTND04E                  | A9HTND04ET                  | A9HTND04EY                 |
| 4 way       | 8 + 12                                   | A9HTNS04           | A9HTND04                   | A9HTND04T                   | A9HTND04Y                  |
| 6 way       | 8 + 18                                   | A9HTNS06           | A9HTND06                   | A9HTND06T                   | A9HTND06Y                  |
| 8 way       | 8 + 24                                   | A9HTNS08           | A9HTND08                   | A9HTND08T                   | A9HTND08Y                  |
| 12 way      | 8 + 36                                   | A9HTNS12           | A9HTND12                   | A9HTND12T                   | A9HTND12Y                  |

### > Per Phase Isolation (PPI) DBs

- PPI DBs to mount DP Residual Current Device (RCD) at an individual phase level to isolate the faulty phase in case of earth leakage and ensure continuity of supply to other healthy phases
- Incomer - Modular (FP MCB/Isolator) / MCCB 100A (TP/FP Compact NSX or EasyPact CVS)
- Sub-Incomer - DP RCCB/RCBO
- Outgoing - SP MCBs

| Description | Total Module Cutout (Incomer + Outgoing) | Single Door (IP30) | Double Door - Metal (IP43) | Double Door - Glazed (IP43) | Double Door - Metal (IP54) |
|-------------|--|--------------------|----------------------------|-----------------------------|----------------------------|
| 12 way      | 100A MCCB + 6 + 36                       | -                  | A9HPID12M                  | A9HPID12MT                  | A9HPID12MY                 |

Please refer "PPI Kit" to convert TPN DBs and Flexi Tier DBs to PPI DBs with Modular incomer



### > Flexi Tier DBs

- Flexi DBs gives total flexibility to mount any type and size of Modular devices as per load requirement
- Provided with N-Bar and E-Bar
- 4 Tier Flexi DBs can be converted to PPI DB with "PPI Kit" mentioned on page no. 8



| Description       | Total Module Cutout (Incomer + Outgoing) | Single Door (IP30) | Double Door - Metal (IP43) | Double Door - Glazed (IP43) | Double Door - Metal (IP54) |
|-------------------|--|--------------------|----------------------------|-----------------------------|----------------------------|
| 2 Tier 24 Modules | 2 x 12                                   | -                  | A9HFD224                   | A9HFD224T                   | A9HFD224Y                  |
| 3 Tier 36 Modules | 3 x 12                                   | -                  | A9HFD336                   | A9HFD336T                   | A9HFD336Y                  |
| 4 Tier 40 Modules | 4 x 10                                   | -                  | A9HFD440                   | A9HFD440T                   | A9HFD440Y                  |
| 4 Tier 56 Modules | 4 x 14                                   | -                  | A9HFD456                   | A9HFD456T                   | A9HFD456Y                  |

### > Phase Segregated DBs

- Phase Segregated DBs to provide total safety for installer and maintenance engineer, by compartmentalizing each Phase and separating Incomer, Sub-Incomer and Outgoing
- Offers better continuity of supply in case of earth faults and maintenance at DB level.
- Incomer - Modular (FP MCB/Isolator) / MCCB 100A (TP/FP Compact NSX or EasyPact CVS)
- Sub-Incomer - DP RCCB/RCBO
- Outgoing - SP MCBs



| Description          | Total Module Cutout (Incomer + Sub-incomer + Outgoing) | Single Door (IP30) | Double Door - Metal (IP43) | Double Door - Glazed (IP43) | Double Door - Metal (IP54) |
|----------------------|--|--------------------|----------------------------|-----------------------------|----------------------------|
| 6 way                | 8 + 12 + 18  | -                  | A9HPGD06                   | -                           | A9HPGD06Y                  |
| 8 way                | 8 + 12 + 24  | -                  | A9HPGD08                   | -                           | A9HPGD08Y                  |
| 12 way               | 8 + 12 + 36  | -                  | A9HPGD12                   | -                           | A9HPGD12Y                  |
| 12 way with MCCB I/c | 100A<br>MCCB + 12 + 36                                 | -                  | A9HPGD12M                  | -                           | A9HPGD12MY                 |

### > Vertical TPN DBs (VTPN DBs) with Modular incomer

- Ideal solution to distribute power supply to the 3 Phase and 1 Phase loads in the same DB
- Incomer - FP RCCB/RCBO/Isolator/MCB
- Outgoing - SP MCBs / TP MCBs



| Description | Total Module Cutout (Incomer + Outgoing) | Single Door (IP30) | Double Door - Metal (IP43) | Double Door - Glazed (IP43) | Double Door - Metal (IP54) |
|-------------|--|--------------------|----------------------------|-----------------------------|----------------------------|
| 4 way       | 12 + 12                                  | -                  | A9HVTD04                   | A9HVTD04T                   | A9HVTD04Y                  |
| 8 way       | 12 + 24                                  | -                  | A9HVTD08                   | A9HVTD08T                   | A9HVTD08Y                  |
| 12 way      | 12 + 36                                  | -                  | A9HVTD12                   | A9HVTD12T                   | A9HVTD12Y                  |

### > Vertical TPN DBs (VTPN DBs) with MCCB incomer

- DBs for higher incoming current distribution up to 250A with MCCB as incomer and SP and/or TP MCBs (up to 63A) as outgoing
- Incomer - TP/FP Compact NSX or EasyPact CVS MCCB up to 250A
- Outgoing - SP MCBs / TP MCBs



| Description | Total Module Cutout (Incomer + Outgoing) | Single Door (IP30) | Double Door - Metal (IP43) | Double Door - Glazed (IP43) | Double Door - Metal (IP54) |
|-------------|--|--------------------|----------------------------|-----------------------------|----------------------------|
| 4 way       | 100A MCCB + 12                           | -                  | A9HVD04L                   | A9HVD04LT                   | A9HVD04LY                  |
| 8 way       | 100A MCCB + 24                           | -                  | A9HVD08L                   | A9HVD08LT                   | A9HVD08LY                  |
| 12 way      | 100A MCCB + 36                           | -                  | A9HVD12L                   | A9HVD12LT                   | A9HVD12LY                  |
| 4 way       | 160A MCCB + 12                           | -                  | A9HVD04M                   | A9HVD04MT                   | A9HVD04MY                  |
| 8 way       | 160A MCCB + 24                           | -                  | A9HVD08M                   | A9HVD08MT                   | A9HVD08MY                  |
| 12 way      | 160A MCCB + 36                           | -                  | A9HVD12M                   | A9HVD12MT                   | A9HVD12MY                  |
| 8 way       | 250A MCCB + 24                           | -                  | A9HVD08H                   | A9HVD08HT                   | A9HVD08HY                  |
| 12 way      | 250A MCCB + 36                           | -                  | A9HVD12H                   | A9HVD12HT                   | A9HVD12HY                  |

### > Comm Ready DBs

- DB designed to accommodate all types of Acti 9 Communication Capable products
- DB supplied with Double DIN rail, E-bar and Wire channel.

| Description       | Total Module Cutout | Single Door (IP30) | Double Door - Metal (IP43) | Double Door - Glazed (IP43) | Double Door - Metal (IP54) |
|-------------------|---------------------|--------------------|----------------------------|-----------------------------|----------------------------|
| 1 Tier 24 Modules | 24                  | -                  | A9HCRD124                  | -                           | -                          |
| 2 Tier 48 Modules | 48                  | -                  | A9HCRD248                  | -                           | -                          |

### > Metal Clad P&S Units

- Enclosure supplied with Electra Metal Plug and Socket and provision to mount modular protection device to feed directly to the end load



| Description    | Total Module Cutout | Single Door (IP30) | Double Door - Metal (IP43) | Double Door - Glazed (IP43) | Double Door - Metal (IP54) |
|----------------|---------------------|--------------------|----------------------------|-----------------------------|----------------------------|
| 10A 1P+N+E P&S | 2                   | A9HMS210           | -                          | -                           | -                          |
| 20A 1P+N+E P&S | 2                   | A9HMS220           | -                          | -                           | -                          |
| 30A 3P+E P&S   | 3                   | A9HMS330           | -                          | -                           | -                          |

### > PK P&S Units (with provision to mount PK socket)

- Plug and Socket Unit with provision to mount PK Panel mounted straight socket and modular protection device to feed directly to the end load



| Description   | Total Module Cutout | Single Door (IP30) | Double Door - Metal (IP43) | Double Door - Glazed (IP43) | Double Door - Metal (IP54) |
|---------------|---------------------|--------------------|----------------------------|-----------------------------|----------------------------|
| 16A 3P PK P&S | 2                   | A9HKS316           | -                          | -                           | -                          |
| 32A 3P PK P&S | 2                   | A9HKS332           | -                          | -                           | -                          |
| 32A 5P PK P&S | 4                   | A9HKS532           | -                          | -                           | -                          |
| 63A 5P PK P&S | 4                   | A9HKS563           | -                          | -                           | -                          |

### > PPI Kit

- Set of accessories to convert TPN DBs and 4 tier Flexi DBs to PPI DB
- Kit is provided with additional required quantity of N-Bar, wire set, Busbars and mounting kit



| Description                              | Ref. No. |
|--|----------|
| PPI Kit for 6way TPN DB (2+4w PPI DB)    | A9HKIT04 |
| PPI Kit for 8way TPN DB (2+6w PPI DB)    | A9HKIT06 |
| PPI Kit for 12way TPN DB (2+10w PPI DB)  | A9HKIT10 |
| PPI Kit for 4T40M Flexi DB (2+8w PPI DB) | A9HKIT08 |
| PPI Kit for 4T56M Fix DB (2+12w PPI DB)  | A9HKIT12 |

### > Accessories for Acti 9 DBs

| Description                      | Ref. No. | Set of |
|----------------------------------|----------|--------|
| Rotary lock                      | A9HRL801 | 5 nos  |
| Key Lock                         | A9HRL802 | 5 nos  |
| Blanking plate (1 module)        | 13229B   | 10 nos |
| Fork type busbar 1Pole 12Modules | A9B1P12M | 10     |
| Fork type busbar 2Pole 12Modules | R9XFH212 | 10     |
| Fork type busbar 3Pole 12Modules | R9XFH312 | 10     |
| Fork type busbar 4Pole 12Modules | R9XFH412 | 10     |
| Fork type busbar 1Pole 56Modules | A9B1P56M | 10     |
| Fork type busbar 2Pole 56Modules | R9XFH257 | 10     |
| Fork type busbar 3Pole 57Modules | R9XFH357 | 10     |
| Fork type busbar 4Pole 56Modules | R9XFH457 | 10     |
| Set of 10 end caps 2P            | R9XE210  | 10     |
| Set of 10 end caps 3P            | R9XE310  | 10     |
| Set of 10 end caps 4P            | R9XE410  | 10     |



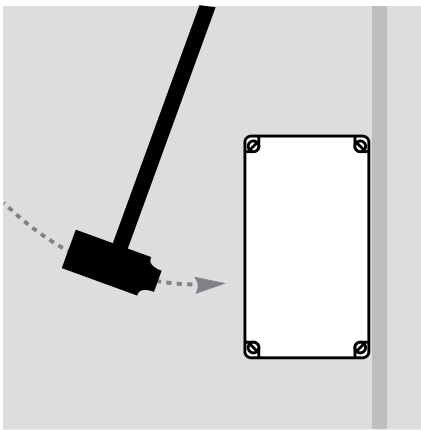
 Wire Way Box for Double Door  
IP43 DBs

| DB Type Description                                  | DB Desc              | Ref. No.    |
|--|----------------------|-------------|
| SPN DB   | 6 way                | A9HSND06WB  |
| SPN DB   | 8 way                | A9HSND08WB  |
| SPN DB   | 12 way               | A9HSND12WB  |
| SPN DB   | 18 way               | A9HSND18WB  |
| TPN DBs  | 4 way eco            | A9HTND04EWB |
| TPN DBs  | 4 way                | A9HTND04WB  |
| TPN DBs  | 6 way                | A9HTND06WB  |
| TPN DBs  | 8 way                | A9HTND08WB  |
| TPN DBs  | 12 way               | A9HTND12WB  |
| Per Phase Isolation (PPI) DB (MCCB i/c)              | 12 way               | A9HPID12MWB |
| Flexi Tier DBs                                       | 2 Tier 24 Modules    | A9HFD224WB  |
| Flexi Tier DBs                                       | 3 Tier 36 Modules    | A9HFD336WB  |
| Flexi Tier DBs                                       | 4 Tier 40 Modules    | A9HFD440WB  |
| Flexi Tier DBs                                       | 4 Tier 56 Modules    | A9HFD456WB  |
| Phase Segregated DBs                                 | 6 way                | A9HPGD06WB  |
| Phase Segregated DBs                                 | 8 way                | A9HPGD08WB  |
| Phase Segregated DBs                                 | 12 way               | A9HPGD12WB  |
| Phase Segregated DB (MCCB i/c)                       | 12 way with MCCB i/c | A9HPGD12MWB |
| VTPN DBs with Modular incomer                        | 4 / 8 / 12 way       | A9HVDXXWB   |
| VTPN DBs with MCCB incomer                           | 4 / 8 / 12 way       | A9HVDXXWB   |
| Extension Box for VTPN DB (Modular i/c) (18 modules) | 4 / 8 / 12 way       | A9HVDXXEB   |
| Extension Box for VTPN DB (MCCB i/c) (18 modules)    | 4 / 8 / 12 way       | A9HVDXXEB   |

The standard classifies and codifies a great number of external influences to which an electrical system may be subjected: presence of water, solid objects, risk of impacts, vibrations, presence of corrosive substances etc. These situations can affect electrical components with a variable intensity depending on the characteristics of the system: presence of water, for example, can be either some drops of water falling or total immersion.

### Degree of protection against mechanical impacts - IK

The standard EN 62262 defines the degree of protection against mechanical impacts indicated with the letters IK, followed by a number. The following table indicates the impact values in joules corresponding to each code.



### Degree of protection against mechanical impacts IK in accordance with standard EN 62262

| IK code | Impact energy | IK code | Impact energy |
|---------|---------------|---------|---------------|
| 00      | not protected | 06      | 1 Joule       |
| 01      | 0,15 Joule    | 07      | 2 Joule       |
| 02      | 0,2 Joule     | 08      | 5 Joule       |
| 03      | 0,35 Joule    | 09      | 10 Joule      |
| 04      | 0,5 Joule     | 10      | 20 Joule      |
| 05      | 0,7 Joule     |         |               |

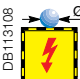

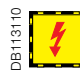
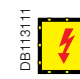
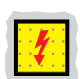

### Degree of Ingress Protection - IP

The standard IEC 60529 indicates, by means of the IP code, the degree of protection for electrical devices against access to energized parts and against the entry of water and of foreign solid objects.

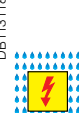

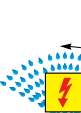
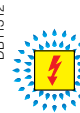
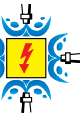


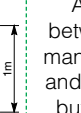
The IP code is composed of 2 characteristic digits. The below mentioned table indicates the classification criteria of the IP code.

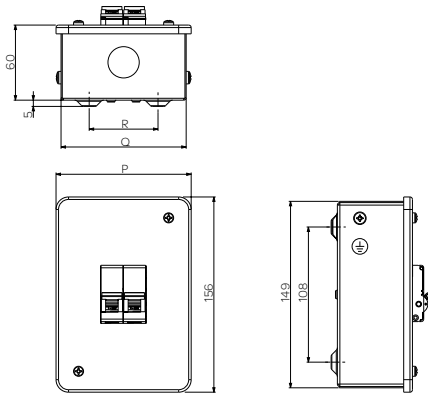
### Degree of protection IP in accordance to IEC 60529

1<sup>st</sup> characteristic digit: protection against the entry of foreign objects and against access to dangerous parts.

| Meaning  | 0 | 1  | 2  | 3   | 4   | 5  | 6  |
|--|---|--|--|---|---|--|--|
| Protection of the enclosure against the entry of |   | Solid objects with dimensions greater than 50 mm   | Solid objects with dimensions greater than 12,5 mm   | Solid objects with dimensions greater than 2,5 mm   | Solid objects with dimensions greater than 1 mm   | Harmful amount of dust<br>Talcum powder  | Dust (totally protected)<br>Talcum powder  |
|  |   | <br>Reference gauge Ø 50 mm | <br>Reference gauge Ø 12.5 mm | <br>Reference gauge Ø 2.5 mm | <br>Reference gauge Ø 1 mm | <br>Talcum powder | <br>Talcum powder |
| Protection of person against access with         |   | Back of hand   | Finger   | Tool  |   | Wire   |  |

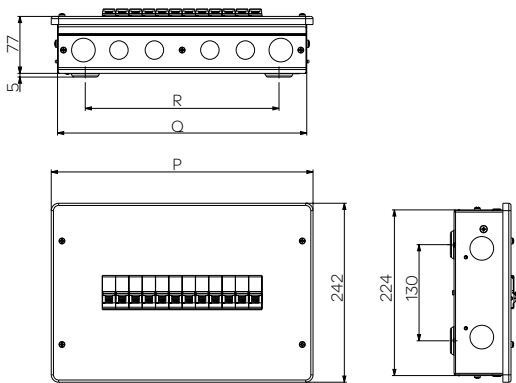
2<sup>nd</sup> characteristic digit: protection against the infiltration of water

| Meaning   | 0   | 1   | 2   | 3   | 4  | 5   | 6   | 7   | 8   |
|---|---|---|---|---|--|---|---|---|---|
| Protection of the enclosure against the harmful effect of |   | Water drops falling vertically  | Water drops falling vertically with an angle of 15° from vertical                   | Rain  | Splashes of water  | Jets of water   | Strong jets of water  | Temporary immersion   | Continuous immersion  |
| Means of test   |  |  |  |  |  |  |  |  | Agreed between the manufacturer and the user, but stricter than 7 |



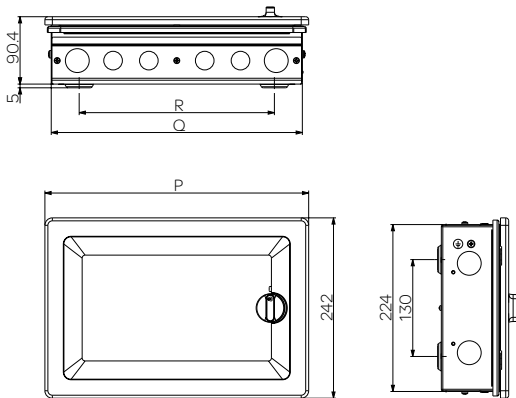
### Metal Enclosures

| Catalogue No. | No. of Ways | P   | Q   | R  |
|---------------|-------------|-----|-----|----|
| A9HMES02      | 2           | 108 | 100 | 55 |
| A9HMES04      | 4           | 138 | 130 | 78 |



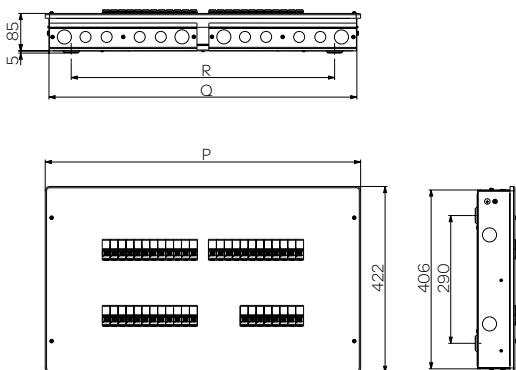
### SPN DBs - Single Door - IP30

| Catalogue No. | No of Ways | P   | Q   | R   |
|---------------|------------|-----|-----|-----|
| A9HSNS06      | 6          | 246 | 229 | 154 |
| A9HSNS08      | 8          | 282 | 265 | 190 |
| A9HSNS12      | 12         | 354 | 337 | 262 |
| A9HSNS18      | 18         | 462 | 445 | 370 |



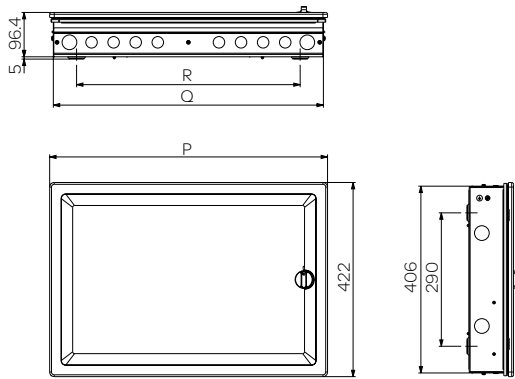
### SPN DBs - Double Door - IP43

| Catalogue No. | No of Ways | P   | Q   | R   |
|---------------|------------|-----|-----|-----|
| A9HSND06      | 6          | 246 | 229 | 154 |
| A9HSND08      | 8          | 282 | 265 | 190 |
| A9HSND12      | 12         | 354 | 337 | 262 |
| A9HSND18      | 18         | 462 | 445 | 370 |



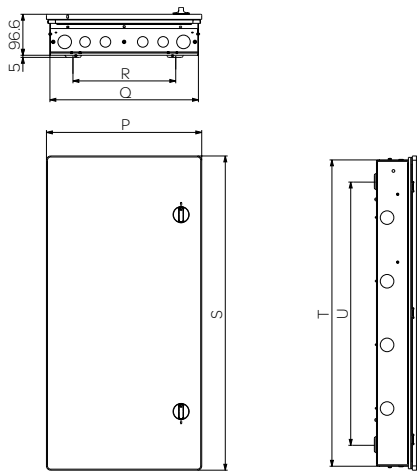
### TPN DBs - Single Door - IP30

| Catalogue No. | No of Ways | P   | Q   | R   |
|---------------|------------|-----|-----|-----|
| A9HTNS04      | 4          | 424 | 407 | 306 |
| A9HTNS06      | 6          | 460 | 443 | 342 |
| A9HTNS08      | 8          | 604 | 587 | 486 |
| A9HTNS12      | 12         | 716 | 699 | 598 |



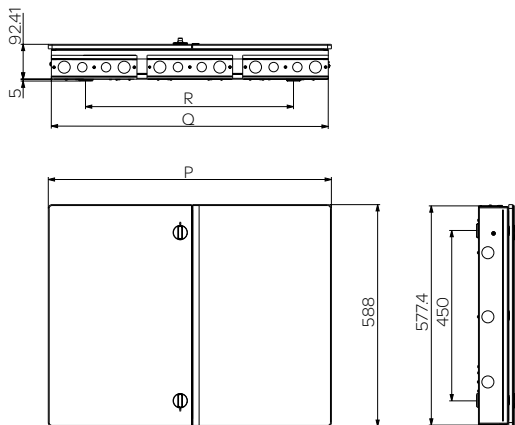
TPN DBs - Double Door - IP43

| Catalogue No. | No of Ways | P   | Q   | R   |
|---------------|------------|-----|-----|-----|
| A9HTND04E     | 4          | 388 | 371 | 270 |
| A9HTND04      | 4          | 424 | 407 | 306 |
| A9HTND06      | 6          | 460 | 443 | 342 |
| A9HTND08      | 8          | 604 | 587 | 486 |
| A9HTND12      | 12         | 716 | 699 | 598 |



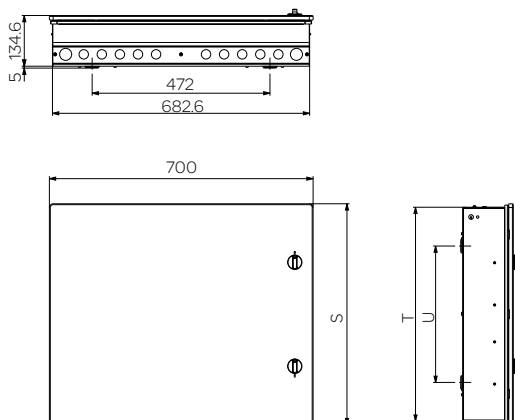
TIER DBs - Double Door - IP43

| Catalogue No. | No of Ways | P   | Q   | R   | S     | T   | U   |
|---------------|------------|-----|-----|-----|-------|-----|-----|
| A9HFD224      | -          | 421 | 405 | 275 | 424   | 405 | 300 |
| A9HFD336      | -          | 421 | 405 | 275 | 530.6 | 512 | 435 |
| A9HFD440      | -          | 366 | 350 | 240 | 740.6 | 722 | 620 |
| A9HFD456      | -          | 436 | 420 | 300 | 740.6 | 722 | 620 |



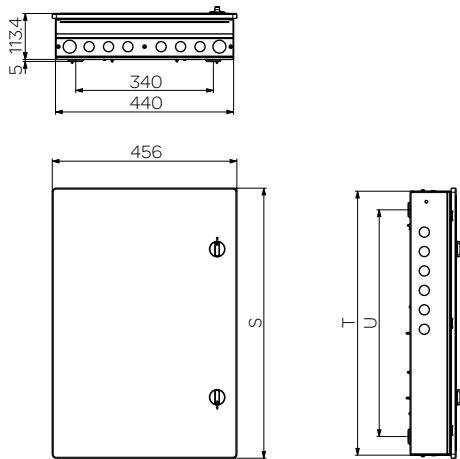
Phase Segregated (PSG) DBs - Double Door - IP43

| Catalogue No. | No of Ways | P     | Q     | R   |
|---------------|------------|-------|-------|-----|
| A9HPGD06      | 6          | 640   | 624   | 450 |
| A9HPGD08      | 8          | 750.8 | 734.4 | 550 |
| A9HPGD12      | 12         | 966.4 | 950   | 750 |
| A9HPGD12M     | 12         | 966.4 | 950   | 750 |

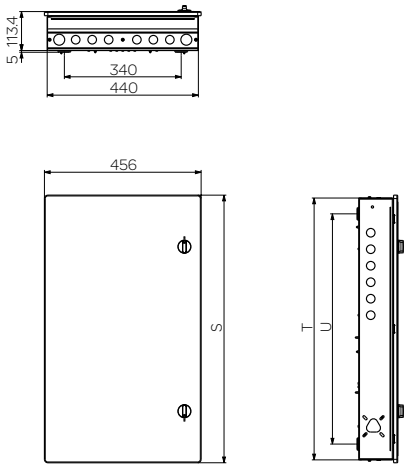


CommReady DBs - Double Door - IP43

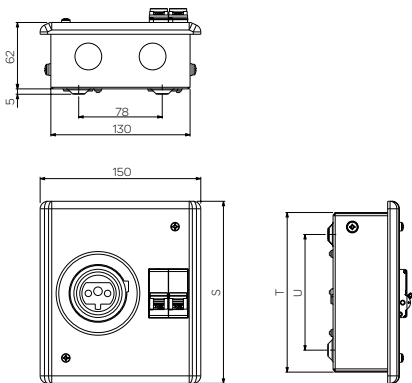
| Catalogue No. | No of Ways | S     | T   | U   |
|---------------|------------|-------|-----|-----|
| A9HCRD124     | -          | 376.4 | 357 | 152 |
| A9HCRD248     | -          | 586.4 | 568 | 362 |



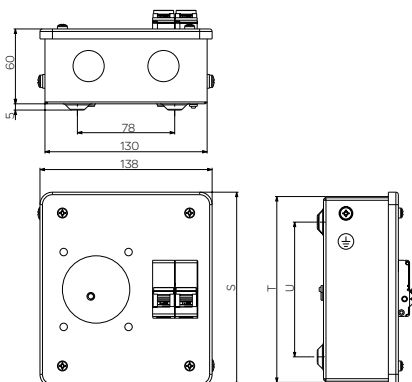
| VTPN DBs (Modular Incomer) - Double Door - IP43 |            |     |     |     |
|---|------------|-----|-----|-----|
| Catalogue No.                                   | No of Ways | S   | T   | U   |
| A9HVTD04  | 4          | 438 | 420 | 330 |
| A9HVTD08  | 8          | 558 | 550 | 460 |
| A9HVTD12  | 12         | 668 | 650 | 560 |



| VTPN DBs (MCCB Incomer) - Double Door - IP43 |            |     |     |     |
|--|------------|-----|-----|-----|
| Catalogue No.                                | No of Ways | S   | T   | U   |
| A9HVD04L/M                                   | 4          | 558 | 550 | 460 |
| A9HVD08L/M/H                                 | 8          | 668 | 650 | 560 |
| A9HVD12L/M/H                                 | 12         | 780 | 760 | 670 |



| Metal - Plug and Socket Unit |            |     |     |     |
|------------------------------|------------|-----|-----|-----|
| Catalogue No.                | No of Ways | S   | T   | U   |
| A9HMS210                     | 1          | 170 | 149 | 108 |
| A9HMS220                     | 2          | 170 | 149 | 108 |
| A9HMS330                     | 4          | 305 | 284 | 230 |



| PK - Plug and Socket Unit |            |     |     |     |
|---------------------------|------------|-----|-----|-----|
| Cat No.                   | No of Ways | S   | T   | U   |
| A9HKS316                  | 2          | 156 | 149 | 108 |
| A9HKS332                  | 2          | 156 | 149 | 108 |
| A9HKS532                  | 4          | 305 | 284 | 230 |
| A9HKS563                  | 4          | 305 | 284 | 230 |

# Custom DB Enquiry Format

|                             |                      |             |                      |
|-----------------------------|----------------------|-------------|----------------------|
| Enquiry No:                 | <input type="text"/> | Date:       | <input type="text"/> |
| Customer Name:              | <input type="text"/> | Project:    | <input type="text"/> |
| Sales person Name & Branch: | <input type="text"/> | Consultant: | <input type="text"/> |

|                                    |                      |                                      |                      |
|------------------------------------|----------------------|--------------------------------------|----------------------|
| Degree of Protection: <sup>1</sup> | <input type="text"/> | CRCA thickness (gauge): <sup>2</sup> | <input type="text"/> |
| Nearest Preferred standard DB:     | <input type="text"/> | Color (RAL no.): <sup>3</sup>        | <input type="text"/> |

| Incomer (rating & slots):    | Product Desc | Ref. No. | No. of Modules (1M=18mm) or Total and Mounting Dim for Non-Modular Devices |
|------------------------------|--------------|----------|--|
|                              |              |          |  |
|                              |              |          |  |
|                              |              |          |  |
|                              |              |          |  |
| <b>Total Incomer Modules</b> |              |          | <b>0</b>   |

| Sub-incomer (rating & slots):    | Product Desc | Ref. No. | No. of Modules (1M=18mm) |
|----------------------------------|--------------|----------|--------------------------|
|                                  |              |          |                          |
|                                  |              |          |                          |
|                                  |              |          |                          |
| <b>Total Sub-Incomer Modules</b> |              |          | <b>0</b>                 |

| Outgoing Slots                | Device              | Qty | No. of Modules (1M=18mm) |
|-------------------------------|---------------------|-----|--------------------------|
|                               | SP MCB              |     |                          |
|                               | DP MCB              |     |                          |
|                               | TP MCB              |     |                          |
|                               | FP MCB              |     |                          |
|                               | Modular Contactor   |     |                          |
|                               | Time Switch         |     |                          |
|                               | Voltmeter / Ammeter |     |                          |
|                               | RYB Indicator       |     |                          |
| <b>Total Outgoing Modules</b> |                     |     | <b>0</b>                 |

| Shorting links / Phase Busbar | Type | Modules / Ways | Qty |
|-------------------------------|------|----------------|-----|
|                               | SP   |                |     |
|                               | DP   |                |     |
|                               | TP   |                |     |
|                               | FP   |                |     |

|                       |                      |                          |                      |
|-----------------------|----------------------|--------------------------|----------------------|
| PDF drawing required: | <input type="text"/> | Delivery required within | <input type="text"/> |
|-----------------------|----------------------|--------------------------|----------------------|

|   |                               |                      |
|---|-------------------------------|----------------------|
| Please specify any other details required | Lock Arrangement <sup>4</sup> | <input type="text"/> |
|   | Wire Way Box <sup>5</sup>     | <input type="text"/> |

Total Qty:

Comments:

| Options:                           |                                      |                               |                               |                              |
|------------------------------------|--------------------------------------|-------------------------------|-------------------------------|------------------------------|
| Degree of Protection: <sup>1</sup> | CRCA Thickness (gauge): <sup>2</sup> | Color (RAL no.): <sup>3</sup> | Lock Arrangement <sup>4</sup> | Wire Way Box <sup>5</sup>    |
| IP30 - Single Door                 | Standard DB                          | RAL 9003 (Standard Acti 9)    | Standard Lock                 | Not Required                 |
| IP43 - Double Door (Metal)         | 0.8 mm / 22 swg                      | RAL 9010 (Pure White)         | Key Lock (avbl as Accessory)  | Required - Separate          |
| IP43 - Double Door (Acrylic)       | 1 mm / 20 swg                        | RAL 9001 (Cream White)        | Panel Lock                    | Required - Inbuilt at Top    |
| IP54 - Double Door (Metal)         | 1.2 mm / 18 swg                      | RAL 7035 (Light Grey)         | PAD Lock                      | Required - Inbuilt at Bottom |
| IP55 - Double Door (Metal)         | 1.6 mm / 16 swg                      | RAL 7036 (Platinum grey)      |                               | Required - Inbuilt at Both   |
|                                    | 2.0 mm / 14 swg                      |                               |                               |                              |







Make the most of your energy<sup>SM</sup>

**Schneider Electric India Pvt. Ltd.**

**Corporate office**

9th Floor, DLF Building No. 10, Tower C, DLF Cyber City,  
Phase II, Gurgaon - 122002, Haryana  
Tel: 0124 3940400, Fax: 0124 4222036  
[www.schneider-electric.com](http://www.schneider-electric.com)

**Customer Care Centre :**

Toll-free numbers: 1800 103 0011, 1800 425 4272  
General number: 0124 4222040  
Email: [customercare.in@schneider-electric.com](mailto:customercare.in@schneider-electric.com)

