

Life Is On

Schneider  
Electric



 Price List

# LV- Power Quality Products and Equipments

With effect from December 29, 2016



[schneider-electric.co.in](http://schneider-electric.co.in)



---

- LV- Power Quality Products and Equipments
  - Can Type 440V Range . . . . . 4
  - Box Type 440V Range . . . . . 5
  - Capacitor for Detuned filter Application 480V & 525V . . . . . 6
  - Detuned Reactor 440V Range 5.67 % ,7% & 14 % . . . . . 9
  - APFC Relays- Varlogic . . . . . 10
  - TeSys Capacitor Duty Contactors (AC control) . . . . . 10
  - Power Factor Correction Equipment- VarSet . . . . . 10
  - Harmonic Filtration Equipment- AccuSine . . . . . 14
  - Selection of capacitor (kVAr & Voltage) for Detuned filter Application . . . . . 15

# Power Factor Correction Products



Can (Cylindrical) Type 440V Capacitors

Description	kVAr Rating	Minimum Ordering Quantity (No.)	Reference	Unit LP
<b>EasyCan (S Duty) 440V Range</b>				
MPP - Standard Duty Can 3Ph 1kVAr 440V 50Hz	1	3	MEHVCSDY010A44	455
MPP - Standard Duty Can 3Ph 2kVAr 440V 50Hz	2	3	MEHVCSDY020A44 <input checked="" type="checkbox"/>	634
MPP - Standard Duty Can 3Ph 3kVAr 440V 50Hz	3	3	MEHVCSDY030A44 <input checked="" type="checkbox"/>	951
MPP - Standard Duty Can 3Ph 4kVAr 440V 50Hz	4	3	MEHVCSDY040A44 <input checked="" type="checkbox"/>	1268
MPP - Standard Duty Can 3Ph 5kVAr 440V 50Hz	5	3	MEHVCSDY050A44 <input checked="" type="checkbox"/>	1256
MPP - Standard Duty Can 3Ph 7.5kVAr 440V 50Hz	7.5	3	MEHVCSDY075A44	1885
MPP - Standard Duty Can 3Ph 10kVAr 440V 50Hz	10	1	MEHVCSDY100A44 <input checked="" type="checkbox"/>	2204
MPP - Standard Duty Can 3Ph 12.5kVAr 440V 50Hz	12.5	1	MEHVCSDY125A44 <input checked="" type="checkbox"/>	2755
MPP - Standard Duty Can 3Ph 15kVAr 440V 50Hz	15	1	MEHVCSDY150A44 <input checked="" type="checkbox"/>	3305
MPP - Standard Duty Can 3Ph 20kVAr 440V 50Hz	20	1	MEHVCSDY200A44 <input checked="" type="checkbox"/>	4406
MPP - Standard Duty Can 3Ph 25kVAr 440V 50Hz	25	1	MEHVCSDY250A44 <input checked="" type="checkbox"/>	5509
<b>VarPlus Can (H Duty) 440V Range</b>				
MPP - Heavy Duty Can 3Ph 1kVAr 440V 50Hz	1	3	MEHVCHDY010A44	607
MPP - Heavy Duty Can 3Ph 2kVAr 440V 50Hz	2	3	MEHVCHDY020A44 <input checked="" type="checkbox"/>	952
MPP - Heavy Duty Can 3Ph 3kVAr 440V 50Hz	3	3	MEHVCHDY030A44 <input checked="" type="checkbox"/>	1428
MPP - Heavy Duty Can 3Ph 4kVAr 440V 50Hz	4	3	MEHVCHDY040A44 <input checked="" type="checkbox"/>	1903
MPP - Heavy Duty Can 3Ph 5kVAr 440V 50Hz	5	3	MEHVCHDY050A44 <input checked="" type="checkbox"/>	2004
MPP - Heavy Duty Can 3Ph 7.5kVAr 440V 50Hz	7.5	3	MEHVCHDY075A44	3007
MPP - Heavy Duty Can 3Ph 10kVAr 440V 50Hz	10	1	MEHVCHDY100A44 <input checked="" type="checkbox"/>	3761
MPP - Heavy Duty Can 3Ph 12.5kVAr 440V 50Hz	12.5	1	MEHVCHDY125A44 <input checked="" type="checkbox"/>	4702
MPP - Heavy Duty Can 3Ph 15kVAr 440V 50Hz	15	1	MEHVCHDY150A44 <input checked="" type="checkbox"/>	5641
MPP - Heavy Duty Can 3Ph 20kVAr 440V 50Hz	20	1	MEHVCHDY200A44 <input checked="" type="checkbox"/>	7521
MPP - Heavy Duty Can 3Ph 25kVAr 440V 50Hz	25	1	MEHVCHDY250A44 <input checked="" type="checkbox"/>	9400
MPP - Heavy Duty Can 3Ph 30kVAr 440V 50Hz	30	1	MEHVCHDY300A44	11281
MPP - Heavy Duty Can 3Ph 40kVAr 440V 50Hz (Single unit with IP00)	40	1	MEHVCHDY400A44	14655
MPP - Heavy Duty Can 3Ph 50kVAr 440V 50Hz (Single unit with IP00)	50	1	MEHVCHDY500A44	18318
<b>VarPlus Can (GH Duty) 440V Range</b>				
MPP - Gas Heavy Duty Can 3Ph 5kVAr 440V 50Hz	5	3	MEHVCGSF050A44 <input checked="" type="checkbox"/>	2139
MPP - Gas Heavy Duty Can 3Ph 7.5kVAr 440V 50Hz	7.5	3	MEHVCGSF075A44	3204
MPP - Gas Heavy Duty Can 3Ph 10kVAr 440V 50Hz	10	1	MEHVCGSF100A44 <input checked="" type="checkbox"/>	3952
MPP - Gas Heavy Duty Can 3Ph 12.5kVAr 440V 50Hz	12.5	1	MEHVCGSF125A44 <input checked="" type="checkbox"/>	4938
MPP - Gas Heavy Duty Can 3Ph 15kVAr 440V 50Hz	15	1	MEHVCGSF150A44 <input checked="" type="checkbox"/>	5925
MPP - Gas Heavy Duty Can 3Ph 20kVAr 440V 50Hz	20	1	MEHVCGSF200A44 <input checked="" type="checkbox"/>	7901
MPP - Gas Heavy Duty Can 3Ph 25kVAr 440V 50Hz	25	1	MEHVCGSF250A44 <input checked="" type="checkbox"/>	9876
MPP - Gas Heavy Duty Can 3Ph 30kVAr 440V 50Hz	30	1	MEHVCGSF300A44	11844
MPP - Gas Heavy Duty Can 3Ph 40kVAr 440V 50Hz (Single unit with IP00)	40	1	MEHVCGSF400A44	15333
MPP - Gas Heavy Duty Can 3Ph 50kVAr 440V 50Hz (Single unit with IP00)	50	1	MEHVCGSF500A44	19165

# Power Factor Correction Products



Box (Square) Type 440V Capacitors

Description	kVAr Rating	Minimum Ordering Quantity (No.)	Reference	Unit LP 
<b>VarPlus Box S Duty 440V Range</b>				
MPP - Standard Duty Box 3ph 7.5kVAr 440V 50Hz	7.5	1	MEHVBSDY075A44	2503
MPP - Standard Duty Box 3Ph 10kVAr 440V 50Hz	10	1	MEHVBSDY100A44 <input checked="" type="checkbox"/>	3218
MPP - Standard Duty Box 3ph 12.5kVAr 440V 50Hz	12.5	1	MEHVBSDY125A44	4022
MPP - Standard Duty Box 3ph 15kVAr 440V 50Hz	15	1	MEHVBSDY150A44	4825
MPP - Standard Duty Box 3ph 20kVAr 440V 50Hz	20	1	MEHVBSDY200A44 <input checked="" type="checkbox"/>	6434
MPP - Standard Duty Box 3ph 25kVAr 440V 50Hz	25	1	MEHVBSDY250A44 <input checked="" type="checkbox"/>	8042
MPP - Standard Duty Box 3ph 30kVAr 440V 50Hz	30	1	MEHVBSDY300A44	10305
MPP - Standard Duty Box 3ph 50kVAr 440V 50Hz(single unit)	50	1	MEHVBSDY500A44	17175
<b>VarPlus Box H Duty 440V Range</b>				
MPP - Heavy Duty Box 3Ph 5kVAr 440V 50Hz	5	1	MEHVBHDY050A44 <input checked="" type="checkbox"/>	2632
MPP - Heavy Duty Box 3Ph 7.5kVAr 440V 50Hz	7.5	1	MEHVBHDY075A44	3944
MPP - Heavy Duty Box 3Ph 10kVAr 440V 50Hz	10	1	MEHVBHDY100A44 <input checked="" type="checkbox"/>	4493
MPP - Heavy Duty Box 3Ph 12.5kVAr 440V 50Hz	12.5	1	MEHVBHDY125A44 <input checked="" type="checkbox"/>	5625
MPP - Heavy Duty Box 3Ph 15kVAr 440V 50Hz	15	1	MEHVBHDY150A44 <input checked="" type="checkbox"/>	6750
MPP - Heavy Duty Box 3Ph 20kVAr 440V 50Hz	20	1	MEHVBHDY200A44 <input checked="" type="checkbox"/>	8998
MPP - Heavy Duty Box 3Ph 25kVAr 440V 50Hz	25	1	MEHVBHDY250A44 <input checked="" type="checkbox"/>	11248
MPP - Heavy Duty Box 3Ph 30kVAr 440V 50Hz	30	1	MEHVBHDY300A44	13498
MPP - Heavy Duty Box 3Ph 50kVAr 440V 50Hz (single unit)	50	1	MEHVBHDY500A44	23231
<b>VarPlus Box Energy (MD-XL) 440V Range</b>				
Energy - MD-XL Box 3Ph 5kVAr 440V 50 Hz	5	1	MEHVBENY050A44 <input checked="" type="checkbox"/>	4160
Energy - MD-XL Box 3Ph 7.5kVAr 440V 50 Hz	7.5	1	MEHVBENY075A44	6237
Energy - MD-XL Box 3Ph 10kVAr 440V 50 Hz	10	1	MEHVBENY100A44 <input checked="" type="checkbox"/>	7940
Energy - MD-XL Box 3Ph 12.5kVAr 440V 50Hz	12.5	1	MEHVBENY125A44	9931
Energy - MD-XL Box 3Ph 15kVAr 440V 50 Hz	15	1	MEHVBENY150A44 <input checked="" type="checkbox"/>	11898
Energy - MD-XL Box 3Ph 20kVAr 440V 50 Hz	20	1	MEHVBENY200A44 <input checked="" type="checkbox"/>	15864
Energy - MD-XL Box 3Ph 25kVAr 440V 50 Hz	25	1	MEHVBENY250A44 <input checked="" type="checkbox"/>	19861
Energy - MD-XL Box 3Ph 30kVAr 440V 50 Hz	30	1	MEHVBENY300A44	23820
Energy - MD-XL Box 3Ph 50kVAr 440V 50 Hz(Single unit)	50	1	MEHVBENY500A44	40444
<b>VarPlus Box APP 440V Range</b>				
APP - Box 3Ph 5kVAr 440V 50Hz	5	1	MEHVBAPP050A44 <input checked="" type="checkbox"/>	3825
APP - Box 3Ph 7.5kVAr 440V 50Hz	7.5	1	MEHVBAPP075A44	5738
APP - Box 3Ph 10kVAr 440V 50Hz	10	1	MEHVBAPP100A44 <input checked="" type="checkbox"/>	6712
APP - Box 3Ph 12.5kVAr 440V 50Hz	12.5	1	MEHVBAPP125A44	8391
APP - Box 3Ph 15kVAr 440V 50Hz	15	1	MEHVBAPP150A44 <input checked="" type="checkbox"/>	10069
APP - Box 3Ph 20kVAr 440V 50Hz	20	1	MEHVBAPP200A44 <input checked="" type="checkbox"/>	13426
APP - Box 3Ph 25kVAr 440V 50Hz	25	1	MEHVBAPP250A44 <input checked="" type="checkbox"/>	16782
APP - Box 3Ph 30kVAr 440V 50Hz	30	1	MEHVBAPP300A44	20175
APP - Box 3Ph 50kVAr 440V 50Hz (Bank 25kVAr x 2 nos)	50	1	MEHVBAPP500A44	37412

NORMAL STOCK ITEMS

W.E.F. December 29, 2016

# Power Factor Correction Products



## Detuned Filter Application Capacitors

Description	kVArRating	Minimum Ordering Quantity (No.)	Reference	Unit LP
<b>* Capacitors for 7%/5.7% , 440V Detuned Filter Application</b>				
<b>VarPlus Can (H Duty) 480V Range</b>				
MPP - Heavy Duty Can 3Ph 5.6kVAr 480V 50Hz	5.6	1	MEHVCHDY056A48 <input checked="" type="checkbox"/>	2244
MPP - Heavy Duty Can 3Ph 6.7kVAr 480V 50Hz	6.7	1	MEHVCHDY067A48	2684
MPP - Heavy Duty Can 3Ph 11.3kVAr 480V 50Hz	11.3	1	MEHVCHDY113A48 <input checked="" type="checkbox"/>	4245
MPP - Heavy Duty Can 3Ph 12.5kVAr 480V 50Hz	12.5	1	MEHVCHDY125A48	4696
MPP - Heavy Duty Can 3Ph 14.4kVAr 480V 50Hz	14.4	1	MEHVCHDY144A48 <input checked="" type="checkbox"/>	5414
MPP - Heavy Duty Can 3Ph 15.5kVAr 480V 50Hz	15.5	1	MEHVCHDY155A48	5827
MPP - Heavy Duty Can 3Ph 17kVAr 480V 50Hz	17	1	MEHVCHDY170A48 <input checked="" type="checkbox"/>	6393
MPP - Heavy Duty Can 3Ph 19kVAr 480V 50Hz	19	1	MEHVCHDY190A48	7145
MPP - Heavy Duty Can 3Ph 22.4kVAr 480V 50Hz	22.4	1	MEHVCHDY224A48 <input checked="" type="checkbox"/>	8423
MPP - Heavy Duty Can 3Ph 25kVAr 480V 50Hz	25	1	MEHVCHDY250A48	9401
MPP - Heavy Duty Can 3Ph 28.1kVAr 480V 50Hz	28.1	1	MEHVCHDY281A48 <input checked="" type="checkbox"/>	10557
MPP - Heavy Duty Can 3Ph 31.5kVAr 480V 50Hz	31.5	1	MEHVCHDY315A48	11835
<b>VarPlus Can (GH Duty) 480V Range</b>				
MPP - GasHeavy Duty Can 3Ph 5.6kVAr 480V 50Hz	5.6	1	MEHVGGSF056A48 <input checked="" type="checkbox"/>	2393
MPP - GasHeavy Duty Can 3Ph 6.7kVAr 480V 50Hz	6.7	1	MEHVGGSF067A48	2863
MPP - GasHeavy Duty Can 3Ph 11.3kVAr 480V 50Hz	11.3	1	MEHVGGSF113A48 <input checked="" type="checkbox"/>	4461
MPP - GasHeavy Duty Can 3Ph 12.5kVAr 480V 50Hz	12.5	1	MEHVGGSF125A48	4934
MPP - GasHeavy Duty Can 3Ph 14.4kVAr 480V 50Hz	14.4	1	MEHVGGSF144A48 <input checked="" type="checkbox"/>	5684
MPP - GasHeavy Duty Can 3Ph 15.5kVAr 480V 50Hz	15.5	1	MEHVGGSF155A48	6119
MPP - GasHeavy Duty Can 3Ph 17kVAr 480V 50Hz	17	1	MEHVGGSF170A48 <input checked="" type="checkbox"/>	6712
MPP - GasHeavy Duty Can 3Ph 19kVAr 480V 50Hz	19	1	MEHVGGSF190A48	7502
MPP - GasHeavy Duty Can 3Ph 22.4kVAr 480V 50Hz	22.4	1	MEHVGGSF224A48	8843
MPP - GasHeavy Duty Can 3Ph 25kVAr 480V 50Hz	25	1	MEHVGGSF250A48	9870
MPP - GasHeavy Duty Can 3Ph 28.1kVAr 480V 50Hz	28.1	1	MEHVGGSF281A48 <input checked="" type="checkbox"/>	11134
MPP - GasHeavy Duty Can 3Ph 31.5kVAr 480V 50Hz	31.5	1	MEHVGGSF315A48	12482
<b>VarPlus Box H Duty 480V Range</b>				
MPP - Heavy Duty Box 3Ph 5.6kVAr 480V 50Hz	5.6	1	MEHVBHDY056A48	2946
MPP - Heavy Duty Box 3Ph 6.7kVAr 480V 50Hz	6.7	1	MEHVBHDY067A48	3524
MPP - Heavy Duty Box 3Ph 11.3kVAr 480V 50Hz	11.3	1	MEHVBHDY113A48	5083
MPP - Heavy Duty Box 3Ph 14.4kVAr 480V 50Hz	14.4	1	MEHVBHDY144A48	6478
MPP - Heavy Duty Box 3Ph 17kVAr 480V 50Hz	17	1	MEHVBHDY170A48	7646
MPP - Heavy Duty Box 3Ph 22.4kVAr 480V 50Hz	22.4	1	MEHVBHDY224A48	10037
MPP - Heavy Duty Box 3Ph 25kVAr 480V 50Hz	25	1	MEHVBHDY250A48	11203
MPP - Heavy Duty Box 3Ph 28.1kVAr 480V 50Hz	28.1	1	MEHVBHDY281A48	12592
MPP - Heavy Duty Box 3Ph 31.5kVAr 480V 50Hz	31.5	1	MEHVBHDY315A48	14116
MPP - Heavy Duty Box 3Ph 56.1kVAr 480V 50Hz (Single unit)	56.1	1	MEHVBHDY561A48	26050
<b>VarPlus Box Energy (MD-XL) 480V Range</b>				
Energy - MD-XL Box 3Ph 5.6kVAr 480V 50 Hz	5.6	1	MEHVBENY056A48	4653
Energy - MD-XL Box 3Ph 6.7kVAr 480V 50 Hz	6.7	1	MEHVBENY067A48	5567
Energy - MD-XL Box 3Ph 11.3kVAr 480V 50 Hz	11.3	1	MEHVBENY113A48	8970
Energy - MD-XL Box 3Ph 14.4kVAr 480V 50 Hz	14.4	1	MEHVBENY144A48	11439
Energy - MD-XL Box 3Ph 15.5kVAr 480V 50 Hz	15.5	1	MEHVBENY155A48	12313
Energy - MD-XL Box 3Ph 17kVAr 480V 50 Hz	17	1	MEHVBENY170A48	13505
Energy - MD-XL Box 3Ph 19kVAr 480V 50 Hz	19	1	MEHVBENY190A48	15094
Energy - MD-XL Box 3Ph 22.4kVAr 480V 50 Hz	22.4	1	MEHVBENY224A48	17795
Energy - MD-XL Box 3Ph 25.0kVAr 480V 50 Hz	25	1	MEHVBENY250A48	19868
Energy - MD-XL Box 3Ph 28.1kVAr 480V 50 Hz	28.1	1	MEHVBENY281A48 <input checked="" type="checkbox"/>	22331
Energy - MD-XL Box 3Ph 31.5kVAr 480V 50 Hz	31.5	1	MEHVBENY315A48	25033
Energy - MD-XL Box 3Ph 56.1kVAr 480V 50 Hz (single unit)	56.1	1	MEHVBENY561A48	45344

\* Refer to Selection chart for Reactors & Capacitors available on page 15

NORMAL STOCK ITEMS

W.E.F. December 29, 2016

# Power Factor Correction Products



## Detuned Filter Application Capacitors

Description	kVar Rating	Minimum Ordering Quantity (No.)	Reference	Unit LP
<b>VarPlus Box APP 480V Range</b>				
APP - Box 3Ph 5.6kVAr 480V 50Hz	5.6	1	MEHVBAPP056A48	4278
APP - Box 3Ph 6.7kVAr 480V 50Hz	6.7	1	MEHVBAPP067A48	5118
APP - Box 3Ph 11.3kVAr 480V 50Hz	11.3	1	MEHVBAPP113A48	7596
APP - Box 3Ph 12.5kVAr 480V 50Hz	12.5	1	MEHVBAPP125A48	8403
APP - Box 3Ph 14.4kVAr 480V 50Hz	14.4	1	MEHVBAPP144A48	9680
APP - Box 3Ph 15.5kVAr 480V 50Hz	15.5	1	MEHVBAPP155A48	10406
APP - Box 3Ph 17kVAr 480V 50Hz	17	1	MEHVBAPP170A48	11442
APP - Box 3Ph 19kVAr 480V 50Hz	19	1	MEHVBAPP190A48	12757
APP - Box 3Ph 22.4kVAr 480V 50Hz	22.4	1	MEHVBAPP224A48	15075
APP - Box 3Ph 25kVAr 480V 50Hz	25	1	MEHVBAPP250A48	16786
APP - Box 3Ph 28.1kVAr 480V 50Hz	28.1	1	MEHVBAPP281A48 <input checked="" type="checkbox"/>	18867
APP - Box 3Ph 31.5kVAr 480V 50Hz	31.5	1	MEHVBAPP315A48	21150
APP - Box 3Ph 56.1kVAr 480V 50Hz (Bank 28.1kVAr x 2nos)	56.1	1	MEHVBAPP561A48	41976
<b>* Capacitors for 7%/ 5.7%/ 14% , 440V Filter Application</b>				
<b>VarPlus Can (H Duty) 525V Range</b>				
MPP - Heavy Duty Can 3Ph 6.9kVAr 525V 50Hz	6.9	1	MEHVCHDY069A52	2768
MPP - Heavy Duty Can 3Ph 12.5kVAr 525V 50Hz	12.5	1	MEHVCHDY125A52	4699
MPP - Heavy Duty Can 3Ph 13.8kVAr 525V 50Hz	13.8	1	MEHVCHDY138A52	5188
MPP - Heavy Duty Can 3Ph 15.4kVAr 525V 50Hz	15.4	1	MEHVCHDY154A52	5788
MPP - Heavy Duty Can 3Ph 17.2kVAr 525V 50Hz	17.2	1	MEHVCHDY172A52	6467
MPP - Heavy Duty Can 3Ph 18.5kVAr 525V 50Hz	18.5	1	MEHVCHDY185A52	6954
MPP - Heavy Duty Can 3Ph 20.6kVAr 525V 50Hz	20.6	1	MEHVCHDY206A52	7742
MPP - Heavy Duty Can 3Ph 22.6kVAr 525V 50Hz	22.6	1	MEHVCHDY226A52	8494
MPP - Heavy Duty Can 3Ph 25kVAr 525V 50Hz	25	1	MEHVCHDY250A52	9400
MPP - Heavy Duty Can 3Ph 27.5kVAr 525V 50Hz	27.5	1	MEHVCHDY275A52	10340
MPP - Heavy Duty Can 3Ph 30.6kVAr 525V 50Hz	30.6	1	MEHVCHDY306A52	11504
MPP - Heavy Duty Can 3Ph 33.1kVAr 525V 50Hz	33.1	1	MEHVCHDY331A52 <input checked="" type="checkbox"/>	12492
MPP - Heavy Duty Can 3Ph 34.4kVAr 525V 50Hz	34.4	1	MEHVCHDY344A52	12924
MPP-Heavy Duty Can 3Ph 37.7 kVAr 525V 50Hz	37.7	1	MEHVCHDY377A52	14161
<b>VarPlus Can (GH Duty) 525V Range</b>				
MPP - GasHeavy Duty Can 3Ph 6.9kVAr 525V 50Hz	6.9	1	MEHVCGSF069A52	2956
MPP - GasHeavy Duty Can 3Ph 12.5kVAr 525V 50Hz	12.5	1	MEHVCGSF125A52	4951
MPP - GasHeavy Duty Can 3Ph 13.8kVAr 525V 50Hz	13.8	1	MEHVCGSF138A52	5466
MPP - GasHeavy Duty Can 3Ph 15.4kVAr 525V 50Hz	15.4	1	MEHVCGSF154A52	6059
MPP - GasHeavy Duty Can 3Ph 17.2kVAr 525V 50Hz	17.2	1	MEHVCGSF172A52	6819
MPP - GasHeavy Duty Can 3Ph 18.5kVAr 525V 50Hz	18.5	1	MEHVCGSF185A52	7295
MPP - GasHeavy Duty Can 3Ph 20.6kVAr 525V 50Hz	20.6	1	MEHVCGSF206A52	8167
MPP - GasHeavy Duty Can 3Ph 22.6kVAr 525V 50Hz	22.6	1	MEHVCGSF226A52	8960
MPP - GasHeavy Duty Can 3Ph 25kVAr 525V50Hz	25	1	MEHVCGSF250A52	9904
MPP - GasHeavy Duty Can 3Ph 27.5kVAr 525V50Hz	27.5	1	MEHVCGSF275A52	10903
MPP - GasHeavy Duty Can 3Ph 30.6kVAr 525V50Hz	30.6	1	MEHVCGSF306A52	12131
MPP - GasHeavy Duty Can 3Ph 33.1kVAr 525V50Hz	33.1	1	MEHVCGSF331A52 <input checked="" type="checkbox"/>	13123
MPP - Gas Heavy Duty Can 3Ph 34.4kVAr 525V50Hz	34.4	1	MEHVCGSF344A52	13639
MPP - GasHeavy Duty Can 3Ph 37.7kVAr 525V50Hz	37.7	1	MEHVCGSF377A52	14917

\* Refer to Selection chart for Reactors & Capacitors available on page 15

# Power Factor Correction Products



## Detuned Filter Application Capacitors

Description	kVAr Rating	Minimum Ordering Quantity (No.)	Reference	Unit LP
<b>VarPlus Box H Duty 525V Range</b>				
MPP - Heavy Duty Box 3Ph 6.9kVAr 525V 50Hz	6.9	1	MEHVBHDY069A52	3100
MPP - Heavy Duty Box 3Ph 12.5kVAr 525V 50Hz	12.5	1	MEHVBHDY125A52	5605
MPP - Heavy Duty Box 3Ph 13.8kVAr 525V 50Hz	13.8	1	MEHVBHDY138A52	6200
MPP - Heavy Duty Box 3Ph 15.4kVAr 525V 50Hz	15.4	1	MEHVBHDY154A52	6918
MPP - Heavy Duty Box 3Ph 17.2kVAr 525V 50Hz	17.2	1	MEHVBHDY172A52	7729
MPP - Heavy Duty Box 3Ph 18.5kVAr 525V 50Hz	18.5	1	MEHVBHDY185A52	8325
MPP - Heavy Duty Box 3Ph 20.6kVAr 525V 50Hz	20.6	1	MEHVBHDY206A52	9255
MPP - Heavy Duty Box 3Ph 22.6kVAr 525V 50Hz	22.6	1	MEHVBHDY226A52	10125
MPP - Heavy Duty Box 3Ph 25kVAr 525V 50Hz	25	1	MEHVBHDY250A52	11248
MPP - Heavy Duty Box 3Ph 27.5kVAr 525V 50Hz	27.5	1	MEHVBHDY275A52	12366
MPP - Heavy Duty Box 3Ph 30.6kVAr 525V 50Hz	30.6	1	MEHVBHDY306A52	13716
MPP - Heavy Duty Box 3Ph 33.1kVAr 525V 50Hz	33.1	1	MEHVBHDY331A52	14885
MPP - Heavy Duty Box 3Ph 37.7kVAr 525V 50Hz	37.7	1	MEHVBHDY377A52	16898
<b>VarPlus Box Energy (MD - XL) 525V Range</b>				
Energy - MD-XL Box 3Ph 6.9kVAr 525V 50 Hz	6.9	1	MEHVBENY069A52	5733
Energy - MD-XL Box 3Ph 12.5kVAr 525V 50 Hz	12.5	1	MEHVBENY125A52	9920
Energy - MD-XL Box 3Ph 13.8kVAr 525V 50 Hz	13.8	1	MEHVBENY138A52	10964
Energy - MD-XL Box 3Ph 15.4kVAr 525V 50 Hz	15.4	1	MEHVBENY154A52	12222
Energy - MD-XL Box 3Ph 17.2kVAr 525V 50 Hz	17.2	1	MEHVBENY172A52	13643
Energy - MD-XL Box 3Ph 18.5kVAr 525V 50 Hz	18.5	1	MEHVBENY185A52	14676
Energy - MD-XL Box 3Ph 20.6kVAr 525V 50 Hz	20.6	1	MEHVBENY206A52	16342
Energy - MD-XL Box 3Ph 22.6kVAr 525V 50 Hz	22.6	1	MEHVBENY226A52	17912
Energy - MD-XL Box 3Ph 25kVAr 525V 50 Hz	25	1	MEHVBENY250A52	19847
Energy - MD-XL Box 3Ph 27.5kVAr 525V 50 Hz	27.5	1	MEHVBENY275A52	21809
Energy - MD-XL Box 3Ph 30.6kVAr 525V 50 Hz	30.6	1	MEHVBENY306A52	24282
Energy - MD-XL Box 3Ph 33.1kVAr 525V 50 Hz	33.1	1	MEHVBENY331A52	26255
Energy - MD-XL Box 3Ph 37.7kVAr 525V 50 Hz	37.7	1	MEHVBENY377A52	29914
<b>VarPlus Box APP 525V Range</b>				
APP - Box 3Ph 6.9kVAr 525V 50Hz	6.9	1	MEHVBAPP069A52	5271
APP - Box 3Ph 9.2kVAr 525V 50Hz	9.2	1	MEHVBAPP092A52	7030
APP - Box 3Ph 12.5kVAr 525V 50Hz	12.5	1	MEHVBAPP125A52	8392
APP - Box 3Ph 13.8kVAr 525V 50Hz	13.8	1	MEHVBAPP138A52	9260
APP - Box 3Ph 15.4kVAr 525V 50Hz	15.4	1	MEHVBAPP154A52	10334
APP - Box 3Ph 17.2kVAr 525V 50Hz	17.2	1	MEHVBAPP172A52	11565
APP - Box 3Ph 18.5kVAr 525V 50Hz	18.5	1	MEHVBAPP185A52	12421
APP - Box 3Ph 20.6kVAr 525V 50Hz	20.6	1	MEHVBAPP206A52	13831
APP - Box 3Ph 22.6kVAr 525V 50Hz	22.6	1	MEHVBAPP226A52	15173
APP - Box 3Ph 25kVAr 525V 50Hz	25	1	MEHVBAPP250A52	16788
APP - Box 3Ph 27.5kVAr 525V 50Hz	27.5	1	MEHVBAPP275A52	18465
APP - Box 3Ph 30.6kVAr 525V 50Hz	30.6	1	MEHVBAPP306A52	20546
APP - Box 3Ph 33.1kVAr 525V 50Hz	33.1	1	MEHVBAPP331A52	22224
APP - Box 3Ph 37.7kVAr 525V 50Hz	37.7	1	MEHVBAPP377A52	25312

Refer to Selection chart for Reactors & Capacitors available on page 15

NORMAL STOCK ITEMS

W.E.F. December 29, 2016



# PFC - Detuned Reactors



Detuned Reactor 440V Range

Description	kVAr Rating	Minimum Ordering Quantity (No.)	Reference	Unit LP 
<b>VarPlus Detuned Reactor 5.7%, 440V Range</b>				
Detuned Reactor 5.7% 3Ph 5kVAr 440V 50Hz	5	1	LVR05050A44	10287
Detuned Reactor 5.7% 3Ph 10kVAr 440V 50Hz	10	1	LVR05100A44	14868
Detuned Reactor 5.7% 3Ph 12.5kVAr 440V 50Hz	12.5	1	LVR05125A44	17003
Detuned Reactor 5.7% 3Ph 15kVAr 440V 50Hz	15	1	LVR05150A44	18029
Detuned Reactor 5.7% 3Ph 20kVAr 440V 50Hz	20	1	LVR05200A44	19136
Detuned Reactor 5.7% 3Ph 25kVAr 440V 50Hz	25	1	LVR05250A44	17948
Detuned Reactor 5.7% 3Ph 50kVAr 440V 50Hz	50	1	LVR05500A44	30012
Detuned Reactor 5.7% 3Ph 75kVAr 440V 50Hz	75	1	LVR05750A44	45017
Detuned Reactor 5.7% 3Ph 100kVAr 440V 50Hz	100	1	LVR05X00A44	60023
<b>VarPlus Detuned Reactor 7%, 440V Range</b>				
Detuned Reactor 7% 3Ph 5kVAr 440V 50Hz	5	1	LVR07050A44 <input checked="" type="checkbox"/>	9268
Detuned Reactor 7% 3Ph 10kVAr 440V 50Hz	10	1	LVR07100A44 <input checked="" type="checkbox"/>	13395
Detuned Reactor 7% 3Ph 12.5kVAr 440V 50Hz	12.5	1	LVR07125A44 <input checked="" type="checkbox"/>	15318
Detuned Reactor 7% 3Ph 15kVAr 440V 50Hz	15	1	LVR07150A44 <input checked="" type="checkbox"/>	16242
Detuned Reactor 7% 3Ph 20kVAr 440V 50Hz	20	1	LVR07200A44 <input checked="" type="checkbox"/>	17240
Detuned Reactor 7% 3Ph 25kVAr 440V 50Hz	25	1	LVR07250A44 <input checked="" type="checkbox"/>	16169
Detuned Reactor 7% 3Ph 50kVAr 440V 50Hz	50	1	LVR07500A44 <input checked="" type="checkbox"/>	26902
Detuned Reactor 7% 3Ph 75kVAr 440V 50Hz	75	1	LVR07750A44 <input checked="" type="checkbox"/>	40353
Detuned Reactor 7% 3Ph 100kVAr 440V 50Hz	100	1	LVR07X00A44 <input checked="" type="checkbox"/>	53805
<b>VarPlus Detuned Reactor 14%, 440V Range</b>				
Detuned Reactor 14% 3Ph 5kVAr 440V 50Hz	5	1	LVR14050A44	13794
Detuned Reactor 14% 3Ph 10kVAr 440V 50Hz	10	1	LVR14100A44	19612
Detuned Reactor 14% 3Ph 12.5kVAr 440V 50Hz	12.5	1	LVR14125A44	23108
Detuned Reactor 14% 3Ph 15kVAr 440V 50Hz	15	1	LVR14150A44	23775
Detuned Reactor 14% 3Ph 20kVAr 440V 50Hz	20	1	LVR14200A44	25799
Detuned Reactor 14% 3Ph 25kVAr 440V 50Hz	25	1	LVR14250A44	25286
Detuned Reactor 14% 3Ph 50kVAr 440V 50Hz	50	1	LVR14500A44	42179
Detuned Reactor 14% 3Ph 75kVAr 440V 50Hz	75	1	LVR14750A44	63268
Detuned Reactor 14% 3Ph 100kVAr 440V 50Hz	100	1	LVR14X00A44	84357

# Power Factor Correction Products



## APFC Relays

Description	No. of Step	Minimum Ordering Quantity (No.)	Reference	Unit LP
<b>Varlogic APFC Relays - Classic Range</b>				
RT6 , 6 step, 440V, 5A	6	1	51207	12219
RT8 , 8 step, 440V, 5A	8	1	51209	15838
RT12 , 12 step, 440V, 5A	12	1	51213	18374
<b>VarPlus Logic APFC Relays - Advanced Range</b>				
VPL06, 6 step LCD Display , 90V - 550V 50/60Hz 1A/5A <b>with RS485</b>	6	1	VPL06N	27220
VPL12, 12 step LCD Display , 90V - 550V 50/60Hz 1A/5A <b>with RS485</b>	12	1	VPL12N	29391

## Capacitor Duty Contactors (AC Control)



- Conformance to IEC 60070 and 60831, UL, CSA
- Special Contactors designed for switching of 3 Phase, single or multi step capacitor bank#
- Current limiting using block of early make poles and damping resistors
- Inbuilt auxiliary contact

Nominal Reactive Power 440 V	Auxiliary Contacts	Reference	Unit MRP
<b>LC1-D•K - with Damping Resistors &amp; Block of Early Make polesz</b>			
12.5 kVar	1 NO + 1 NC	LC1DFK11*	2700
16.7 kVar	1 NO + 1 NC	LC1DGK11*C	3800
20 kVar	1 NO + 1 NC	LC1DLK11*	4400
25 kVar	1 NO + 1 NC	LC1DMK11*C	4900
33.3 kVar	1 NO + 2 NC	LC1DPK*C	10400
40 kVar	1 NO + 2 NC	LC1DTK*C	14500
60 kVar	1 NO + 2 NC	LC1DWK*C	16500

#Contactor recommended upto 6 steps. For over 6 steps it is recommended to use chokes

\* Reference to be completed by adding coil voltage code

### \* Coil Voltage Code

VOLTAGE	110	220
LC1DPK ....DWK 50HZ	F7	M7

Note: For ordering contactors with other coil voltages & frequencies, please add Rs 190/- to the unit price of the standard contactor of the same rating. For details on non standard references, technical parameters, accessories, compatibility, stockable and non stockable status please contact Customer Care

# Power Factor Correction Equipment- VarSet



## Reliable

- > Achieves Target set PF
- > Reduces demand kVA
- > Eliminates PF Penalty
- > Highest output to steps ratio "d"
- > Fuel savings in DG

## Safe

- > 3ph simultaneous PSD
- > Burst proof capacitors
- > Detuned Reactors- No Harmonic Amplification
- > Minimum switching transient

## Embedded Intelligence

- > Auto start, Auto detection, Auto polarity check, Auto c/k
- > Thermal intelligence
- > Harmonic intelligence
- > Asset management and performance
- > PQ Disturbance detection (Optional)

## Digitize

- > Flexible to move to connected world
- > Web page monitor facility through Schneider Gateway devices (Optional)
- > Seam less integration with PME, PSE

## Quality of construction

- > Compliance to IEC 61921 and Indian Standards.
- > Stringent quality control measures
- > Best Engineering practices
- > Best thermal design for heat dissipation



ISO 9001 ISO 14001  
ISO 50001



IGBC Green building  
Gold medal



IEC



ROHS



CE



REACH




Canadian Standards



Indian Standards



EAC

 NORMAL STOCK ITEMS

W.E.F. December 29, 2016

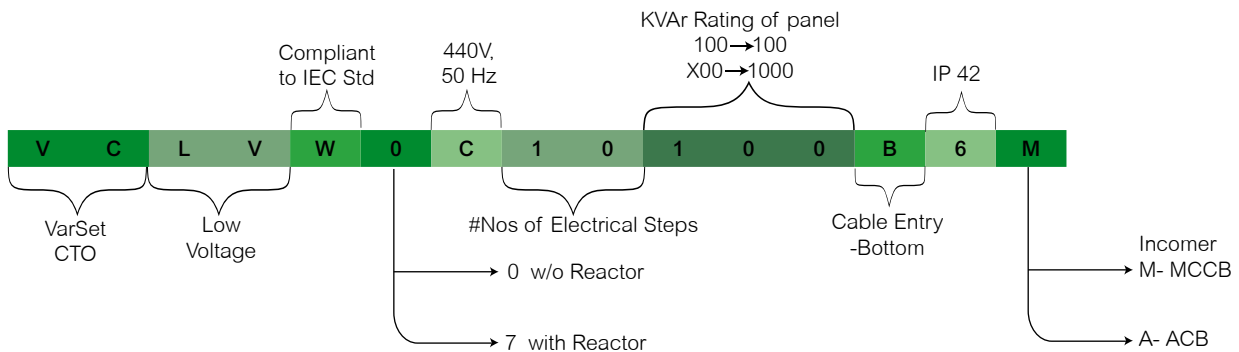
# Power Factor Correction Equipment- VarSet

## VarSet LV APFC panels without reactors



Panel Ratings	Step Configuration in kVAr	Cat Reference No.	Dimensions (in mm) W x D x H	Unit LP [₹]
<b>Incomer MCCB</b>				
100	3x10kVAr + 1x20kVAr + 1x50kVAr	VCLVW0C10100B6M	800 x 600 x 1800	300855
125	2x12.5kVAr + 2x25kVAr + 1x50kVAr	VCLVW0C10125B6M	800 x 600 x 1800	314744
150	2x12.5kVAr + 1x25kVAr + 2x50kVAr	VCLVW0C12150B6M	800 x 600 x 1800	350444
200	2x12.5kVAr + 1x25kVAr + 3x50kVAr	VCLVW0C16200B6M	800 x 600 x 1800	404762
250	2x12.5kVAr + 1x25kVAr + 4x50kVAr	VCLVW0C20250B6M	800 x 600 x 2000	451905
300	2x12.5kVAr + 1x25kVAr + 5x50kVAr	VCLVW0C24300B6M	1000 x 600 x 2000	531190
350	2x12.5kVAr + 1x25kVAr + 6x50kVAr	VCLVW0C28350B6M	1000 x 600 x 2000	559524
400	2x25kVAr + 3x50kVAr + 2x100kVAr	VCLVW0C16400B6M	1200 x 800 x 2000	576190
500	2x25kVAr + 3x50kVAr + 3x100kVAr	VCLVW0C20500B6M	1200 x 800 x 2000	717857
<b>Incomer ACB</b>				
500	2x25kVAr + 3x50kVAr + 3x100kVAr	VCLVW0C20500B6A	1200 x 800 x 2000	765238
600	2x25kVAr + 3x50kVAr + 4x100kVAr	VCLVW0C24600B6A	1600 x 800 x 2000	881190
700	2x25kVAr + 3x50kVAr + 5x100kVAr	VCLVW0C28700B6A	1600 x 800 x 2000	987811
750	2x25kVAr + 4x50kVAr + 5x100kVAr	VCLVW0C30750B6A	1600 x 800 x 2000	1049744
800	2x25kVAr + 3x50kVAr + 6x100kVAr	VCLVW0C32800B6A	2000 x 800 x 2000	1088806
900	2x25kVAr + 3x50kVAr + 7x100kVAr	VCLVW0C36900B6A	2000 x 800 x 2000	1179744
1000	2x25kVAr + 1x50kVAr + 9x100kVAr	VCLVW0C40X00B6A	2000 x 800 x 2000	1244359

## Cat Reference Creation



### Product offer:

VarSet LV APFC panels with 7% / without Reactors

Ratings = 100kVAr to 1000kVAr  
 Capacitor = MPP HD Can 440/480V, with 3ph simultaneous PSD

### General Features:

System voltage = 440V  
 Frequency = 50Hz  
 Phase = 3  
 Design = Modular / Expandable  
 IP = IP42  
 Switching = Random

### Incomer:

Upto 500kVAr = MCCB, 36kA  
 500 to 1000kVAr = ACB, 65kA  
 Step protection = MCCBs, 36kA

### Switching:

Capacitor duty  
 Contactor - without Reactor design  
 Power Contactors - with Reactor design

# Power Factor Correction Equipment- VarSet

VarSet LV APFC panels with 7% reactors



Panel Ratings	Step Configuration in kVAr	Cat Reference No.	Dimensions (in mm) W x D x H	Unit LP ☐
<b>Incomer MCCB</b>				
100	3x10kVAr + 1x20kVAr + 1x50kVAr	VCLVW7C10100B6M	1300 x 600 x 1800	367949
125	2x12.5kVAr + 2x25kVAr + 1x50kVAr	VCLVW7C10125B6M	1300 x 600 x 1800	388462
150	2x12.5kVAr + 1x25kVAr + 2x50kVAr	VCLVW7C12150B6M	1300 x 600 x 1800	428000
200	2x12.5kVAr + 1x25kVAr + 3x50kVAr	VCLVW7C16200B6M	1300 x 600 x 1800	497381
250	2x12.5kVAr + 1x25kVAr + 4x50kVAr	VCLVW7C20250B6M	1300 x 600 x 2000	554048
300	2x12.5kVAr + 1x25kVAr + 5x50kVAr	VCLVW7C24300B6M	1500 x 800 x 2000	660000
350	2x12.5kVAr + 1x25kVAr + 6x50kVAr	VCLVW7C28350B6M	1500 x 800 x 2000	697619
400	2x25kVAr + 3x50kVAr + 2x100kVAr	VCLVW7C16400B6M	1700 x 800 x 2000	702619
500	2x25kVAr + 3x50kVAr + 3x100kVAr	VCLVW7C20500B6M	1700 x 800 x 2000	866905
<b>Incomer ACB</b>				
500	2x25kVAr + 3x50kVAr + 3x100kVAr	VCLVW7C20500B6A	1700 x 800 x 2000	914286
600	2x25kVAr + 3x50kVAr + 4x100kVAr	VCLVW7C24600B6A	2100 x 800 x 2000	1043571
700	2x25kVAr + 3x50kVAr + 5x100kVAr	VCLVW7C28700B6A	2200 x 800 x 2000	1182090
750	2x25kVAr + 4x50kVAr + 5x100kVAr	VCLVW7C30750B6A	2200 x 800 x 2000	1259231
800	2x25kVAr + 3x50kVAr + 6x100kVAr	VCLVW7C32800B6A	3000 x 800 x 2000	1333831
900	2x25kVAr + 3x50kVAr + 7x100kVAr	VCLVW7C36900B6A	3000 x 800 x 2000	1449231
1000	2x25kVAr + 1x50kVAr + 9x100kVAr	VCLVW7C40X00B6A	3000 x 800 x 2000	1531538

Note:

- 1) Prices mentioned above are Ex-works Bangalore
- 2) Prices are exclusive of Excise Duty, Sales Tax, Entry Tax or any other levies
- 3) For any further clarification contact Schneider Electric sales office or Customer Care Center

# Harmonic Filtration Equipment- AccuSine



## AccuSine SWP

Description	AMPS	Minimum Ordering Quantity (No.)	Reference	Unit LP
<b>AccuSine SWP (Single Unit)</b>				
AccuSine SWP 20A 400V 50-60Hz IP20 Unitary	20	1	PCS020Y4IP20U	On Request
AccuSine SWP 30A 400V 50-60Hz IP20 Unitary	30	1	PCS030Y4IP20U	On Request
AccuSine SWP 45A 400V 50-60Hz IP20 Unitary	45	1	PCS045Y4IP20U	On Request
AccuSine SWP 60A 400V 50-60Hz IP20 Unitary	60	1	PCS060Y4IP20U	On Request
AccuSine SWP 90A 400V 50-60Hz IP20 Unitary	90	1	PCS090Y4IP20U	On Request
AccuSine SWP 120A 400V 50-60Hz IP20 Unitary	120	1	PCS120Y4IP20U	On Request
<b>AccuSine SWP (Parallel Unit application)</b>				
AccuSine SWP 20A 400V 50-60Hz IP20 Parallel	20	1	PCS020Y4IP20P	On Request
AccuSine SWP 30A 400V 50-60Hz IP20 Parallel	30	1	PCS030Y4IP20P	On Request
AccuSine SWP 45A 400V 50-60Hz IP20 Parallel	45	1	PCS045Y4IP20P	On Request
AccuSine SWP 60A 400V 50-60Hz IP20 Parallel	60	1	PCS060Y4IP20P	On Request
AccuSine SWP 90A 400V 50-60Hz IP20 Parallel	90	1	PCS090Y4IP20P	On Request
AccuSine SWP 120A 400V 50-60Hz IP20 Parallel	120	1	PCS120Y4IP20P	On Request

Note: Active Harmonic Filter prices on request



## Accusine PCS+

Description	AMPS	Minimum Ordering Quantity (No.)	Reference	Unit LP
<b>AccuSine PCS+</b>				
AccuSine PCS+ 60A 380V- 480V 50- 60Hz , N2	60	1	PCSP060D5N2	2447967
AccuSine PCS+ 120A 380V - 480V 50- 60Hz N2	120	1	PCSP120D5N2	2846197
AccuSine PCS+ 200A 380V- 480V 50- 60Hz N2	200	1	PCSP200D5N2	3767277
AccuSine PCS+ 300A 380V- 480V 50- 60Hz N2	300	1	PCSP300D5N2	3951863
AccuSine PCS+ 60A 380V-480V 50- 60Hz IP54	60	1	PCSP060D5IP54	2643804
AccuSine PCS+ 120A 380V-480V 50- 60Hz IP54	120	1	PCSP120D5IP54	3073892
AccuSine PCS+ 200A 380V- 480V 50- 60Hz IP54	200	1	PCSP200D5IP54	4068659
AccuSine PCS+ 300A 380V- 480V 50- 60Hz IP54	300	1	PCSP300D5IP54	4268011

Note: Active Harmonic Filter prices on request

## Selection of capacitor (kVAr & Voltage) for Detuned filter Application

Effective kVAr out put of Detuned Filter @ 440V	Selection of 480V capacitors for 7%/ 5.7% detuned Reactor for 440V	Selection of 525V capacitors for 7%/ 5.7% detuned Reactor for 440V	Selection of 525V capacitors for 14% detuned Reactor for 440V
5	5kVAr 7%/5.7% Reactor + 5.6kVAr, 480V Capacitor	5kVAr 7%/5.7% Reactor + 6.9kVAr, 525V Capacitor	5kVAr 14% Reactor + 6.9kVAr, 525V Capacitor
10	10kVAr 7%/5.7% Reactor + 11.3kVAr, 480V Capacitor	10kVAr 7%/5.7% Reactor + 13.8kVAr, 525V Capacitor	10kVAr 14% Reactor + 12.5kVAr, 525V Capacitor
12.5	12.5kVAr 7%/5.7% Reactor + 14.4kVAr, 480V Capacitor	12.5kVAr 7%/5.7% Reactor + 17.2kVAr, 525V Capacitor	12.5kVAr 14% Reactor + 15.4kVAr, 525V Capacitor
15	15kVAr 7%/5.7% Reactor + 17kVAr, 480V Capacitor	15kVAr 7%/5.7% Reactor + 20.6kVAr, 525V Capacitor	15kVAr 14% Reactor + 18.5kVAr, 525V Capacitor
20	20kVAr 7%/5.7% Reactor + 22.4kVAr, 480V Capacitor	20kVAr 7%/5.7% Reactor + 27.5kVAr, 525V Capacitor	20kVAr 14% Reactor + 25kVAr, 525V Capacitor
25	25kVAr 7%/5.7% Reactor + 28.1kVAr, 480V Capacitor	25kVAr 7%/5.7% Reactor + 33.1kVAr, 525V Capacitor	25kVAr 14% Reactor + 30.6kVAr, 525V Capacitor
50	50kVAr 7%/5.7% Reactor + 2 x 28.1kVAr, 480V Capacitor	50kVAr 7%/5.7% Reactor + 2 x 33.1kVAr, 525V Capacitor	50kVAr 14% Reactor + 2 x 30.6kVAr, 525V Capacitor
75	75kVAr 7%/5.7% Reactor + 3 x 28.1kVAr, 480V Capacitor	75kVAr 7%/5.7% Reactor + 3 x 33.1kVAr, 525V Capacitor	75kVAr 14% Reactor + 3 x 30.6kVAr, 525V Capacitor
100	100kVAr 7%/5.7% Reactor + 4 x 28.1kVAr, 480V Capacitor	100kVAr 7%/5.7% Reactor + 4 x 33.1kVAr, 525V Capacitor	100kVAr 14% Reactor + 4 x 30.6kVAr, 525V Capacitor

Life Is On

**Schneider**  
Electric

## Schneider Electric India Pvt. Ltd.

Corporate Office: 9th Floor, DLF Building No. 10, Tower C, DLF Cyber City, Phase II, Gurgaon 122002 Haryana  
Tel.: ++91 124 3940400 Fax: ++91 124 4222036/ 037

Ahmedabad  
Schneider Electric India (P) Ltd.  
1506-1507, 15th Floor Shapth-5,  
SG Highway, Ahmedabad - 380015  
Tel.: 079-66826701

Cochin  
Schneider Electric India (P) Ltd.  
41 / 406- D1,3rd Floor, Beejay Towers,  
Rajaji Road Cochin- 682035  
Tel.: 0484-3048401

Ludhiana  
Schneider Electric India (P) Ltd.  
Office No. - 3, 5th Floor, Novelty Plaza  
Bhaiwala Chowk  
Ludhiana- 140001  
Tel.: 0161- 4656672-75

Secunderabad  
D.No. 1-8-271, # 401, Ashoka Bhoopal  
Chambers, SP Road,  
Secunderabad - 500003  
Tel.: 04039404000  
Fax.: 040-39131313

Bangalore  
Schneider Electric India (P) Ltd.  
# 27, Lavelle Road  
Bengaluru-560001  
Tel.: 080-67227800

Coimbatore  
Schneider Electric India (P) Ltd.  
No. -104, Classic Tower, 3rd Floor,  
Trichy Road, Coimbatore- 641018  
Tel.: 0422-3940400

Mumbai  
Schneider Electric India (P)( Ltd)  
Marwah House, 2nd Floor  
Krishanlal Marwah Marg,  
Andheri (East), Mumbai - 400072  
Tel.: 91-22-30263300

Vadodara  
605 & 606, 6th Floor Ocean Building,  
Opp.Vadodara Central, Sarabhai Road,  
Vadodara-390005  
Tel.: 0265-3940400

Bhubaneswar:  
Schneider Electric India (P) Ltd.  
6th Floor, Block A, JSS Software Technol-  
ogy park , E 1/1 , Chandaka Industrial  
Estate, Info City , Bhubaneswar -751025  
Tel.: 0674-6672000

Jaipur  
Schneider Electric India (P) Ltd.  
Jaipur Business Centre 309, 3rd  
Floor, Sangam Tower 190, Church  
Road, Jaipur-302001  
Tel.: 0141-3912903

Nagpur  
Schneider Electric India (P) Ltd.  
Fortune Business Centre, 6,  
Basant Vihar, W.H.C Road  
Shankar Nagar, Nagpur- 440010  
Tel.: 0712-2558581

Vishakhapatnam  
Schneider Electric India (P) Ltd.  
Ratnam's Business Centre,  
D.N.10-1-43, 1st Floor  
Siripuram Fort,C.B.M.Compound,  
Visakhapatnam- 530016  
Tel.: 0891 - 2508990

Chandigarh  
Schneider Electric India (P) Ltd.  
2nd Floor of Tower A  
Bestech Business Tower  
Sector-66  
Mohali- 160059  
Tel.: 0172-3324500

Kolkata  
Schneider Electric (I)Pvt.Ltd.,  
BP-4, Sector-V  
Technopolis  
3rd floor, Salt Lake City  
Kolkata- 700 091  
Tel.: 033-333640100-101

Nashik:  
Schneider Electric India (P) Ltd.  
401, 4th Floor Rishi Raj Towers, Jehan  
Circle, Gangapur Road,  
Nashik- 422013  
Tel: +91-7620498557

Chennai  
Schneider Electric India (P) Ltd.  
No:29, 2nd floor, Bannari Amman Towers,  
B-Block,RK Salai, Mylapore,Chennai -  
600 004  
Tel.:044- 39404000

Lucknow  
Schneider Electric India (P) Ltd.  
1st Floor, Asha Bhawan 27 / II -A,  
Gokhale Marg, Lucknow- 226001  
Tel.: 0522-4006010

Pune  
Schneider Electric India (P) Ltd.  
1st Floor, R.B. Business Centre  
Above Dass Electronics  
Sanghvi Nagar, Aundh, Pune- 411007  
Tel.: 020-39404000

For more information, visit our website at: [www.schneider-electric.co.in](http://www.schneider-electric.co.in)

### Customer Care Centre

Monday-Saturday, 9 a.m. to 8 p.m.  
Toll-free numbers: 1800 425 4272, 1800 103 0011  
Email: [customercare.in@schneider-electric.com](mailto:customercare.in@schneider-electric.com)

- All Prices are in Indian Rupees.
- Prices are subject to change without notice.
- Prices charged will be as prevailing on the date of dispatch.
- Maximum Retail Price (MRP) is inclusive of all taxes.

**Distributor**