

# TEKNIC



## Control & Signaling Devices Ø22.5 Metal Series Joystick

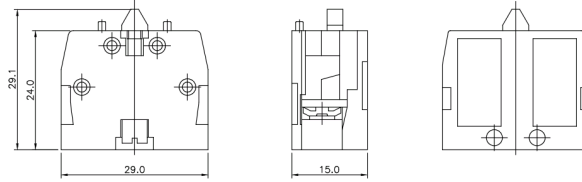
MRP with effect from 01.11.2021



## General Characteristics:

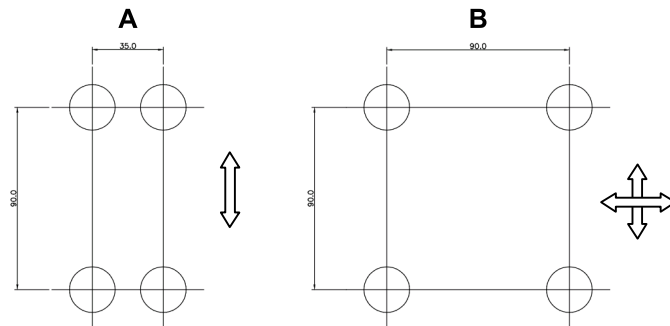
These are manually operated switches for installation in control panel & portable control equipment. They are used in steel, construction industry, machine tools, transport, conveyors, ware housing, studio, radio & cable control & cranes. They are used wherever motion sequences to actuation directions are controlled by hand. They are ideal for raising, lowering, moving to left or right. The switching elements are actuated by the joystick being moved out of intermediate position.

Note: The product is supplied as a single unit & not intended to be used without the special contact block/s attached to it. Product is factory fitted & warranty would be void if factory fitment is tampered. Standard contact elements (e.g. Model nos S1, S2... etc) cannot be used with this.



## Mechanical Characteristics

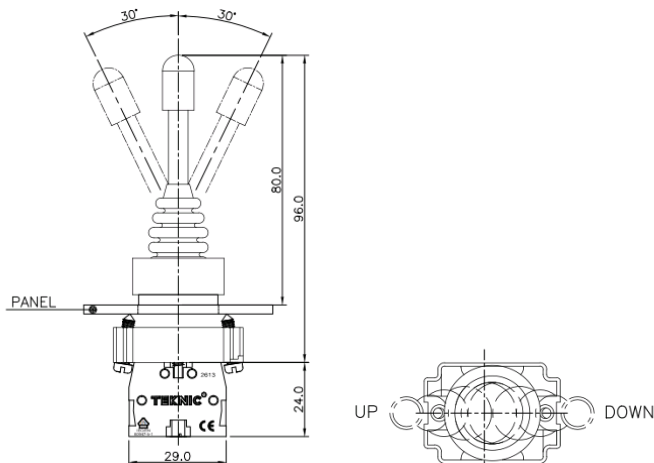
Terminal Capacity	: Maximum 2 X 1.5 mm <sup>2</sup> or 1 X 2.5 mm <sup>2</sup> : Minimum 1 X 0.5 mm <sup>2</sup>
Terminal marking	: 3 4
Terminal Torque	: 0.8 N.m
Operation	: Self-wiping, slow break
Mechanical life	: over 0.1 million operations
Ambient	: -25° C to +70° C
Storage	: -25° C to +40° C for 24 months stored in clean & dry surrounding
Mounting	: Can be mounted Vertical or Horizontal as required
	Fixing Centers 35 mm X 90 mm (2P/2PSR) A 90 mm X 90 mm (4P/4PSR) B



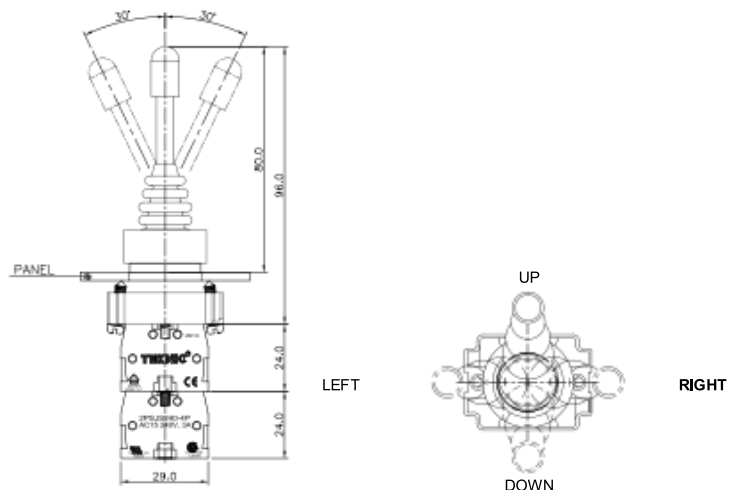
Mounting panel thickness: 1 mm to 6 mm  
: with 2 elements: 120 X 40 X 30  
: with 4 elements: 144 X 40 X 30

Overall Dimensions (LXBXH)

**2PSJSXY0-2P/2PSR**



**2PSJSXY0-4P/4PSR**

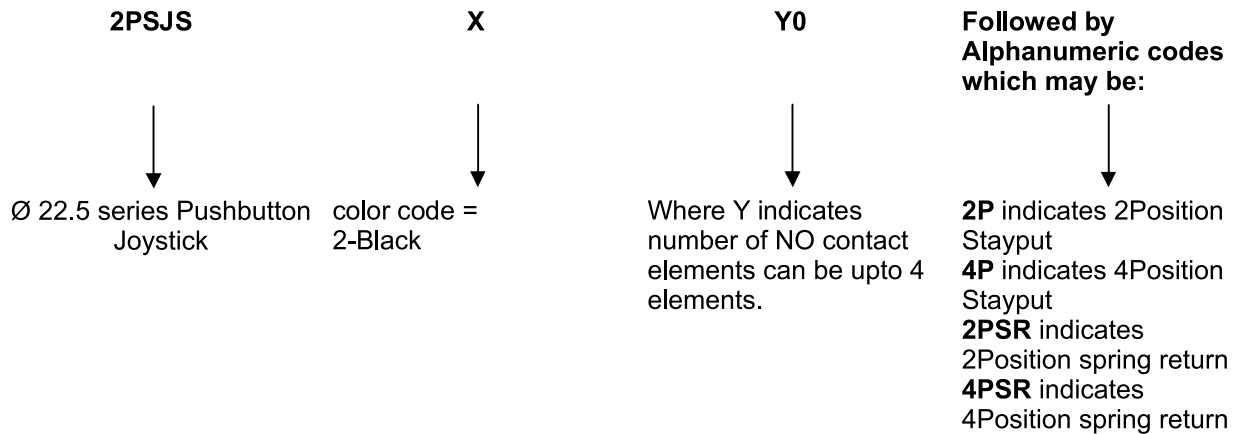


## Electrical Characteristics:

Make & Break Capacity	: AC 15 3A, 240 V AC DC 13 0.5A, 110 V DC with a time constant of 300 ms A600, Q600
Rated insulation voltage	: 500 V
Rated thermal current	: 10A
Short circuit protection	: 10A HRC cartridge fuse, rated for resistive loading
Dielectric Test	: 2.5 KV
Approvals regarding the material Polymeric parts	: UL-Recognized material

## Ordering codes for 2PSJSXY0-2P/4P/2PSR/4PSR

The ordering code for each product is mentioned on the product as well as the primary packing box.

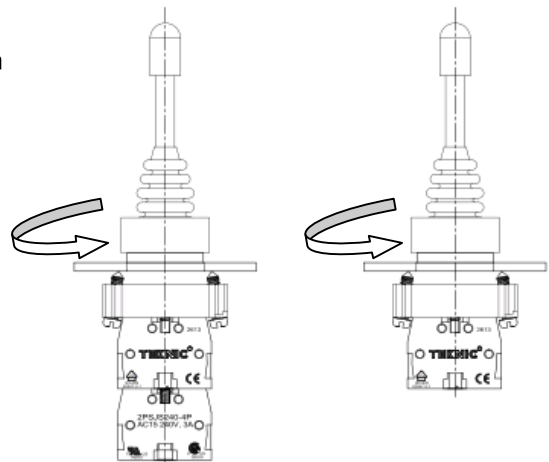


## Mounting Instructions

Safety regulations: This unit may be installed & commissioned by trained personnel who are familiar with current regulation for health & safety at work & accident prevention. Ensure local regulations are met especially those relating to safety. This is for use on flat surface, IP65 & type 4X, 12 enclosure. Ensure that this pushbutton switch will operate fully after installation. Failure to follow these will result in malfunctioning of the switch & may cause damage to equipment or accident

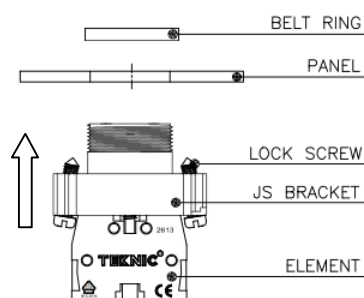
To install:

1. Open the top sub assembly by rotating it in anticlockwise direction

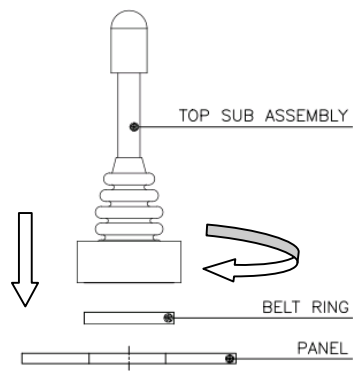


## Mounting Instructions (Contd.)

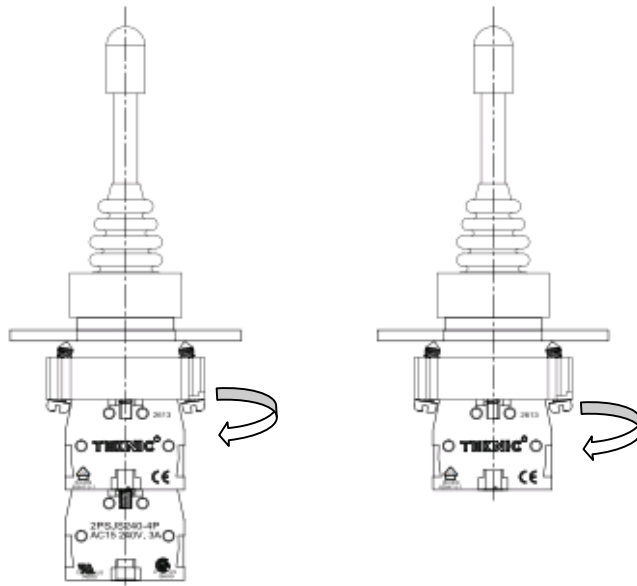
2. Insert the JS bracket with element assembly from back of the panel of Ø 22.5 cutout.



3. Ensure the belt ring is assembled from above the panel. **Fully tighten the top sub assembly by rotating clockwise**



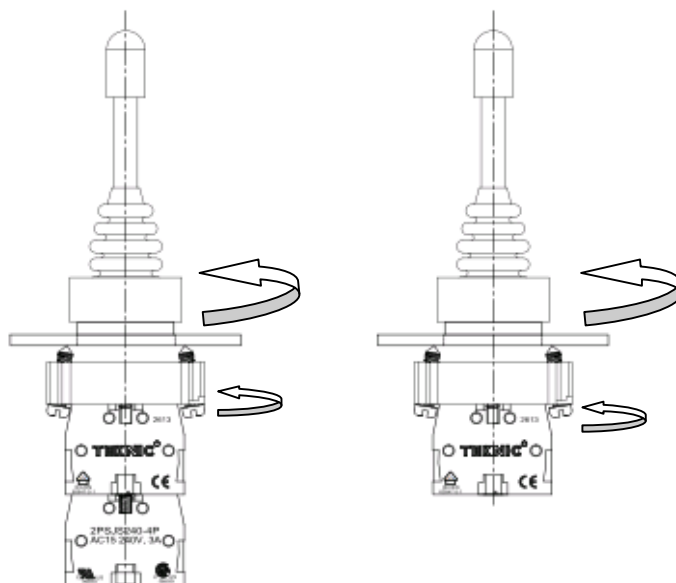
4. Tighten the lock screws in clockwise direction with a torque of 1.2Nm (max)





5. Check to see if the handle operates in 2P/4P directions, as applicable.

To uninstall:

1. Open the lock screws fully by turning anticlockwise direction
2. Rotate the top sub assembly in anticlockwise direction & the sub assemblies separates out



**JOYSTICKS**

	TYPE	COLOUR	ORDERING CODE	PRICE IN Rs.
	2 Position, Stayput	Black	2PSJS220-2P	2260.00
	2 Position, Spring Return	Black	2PSJS220-2PSR	2260.00
	4 Position, Stayput	Black	2PSJS240-4P	2940.00
	4 Position, Spring Return	Black	2PSJS240-4PSR	2940.00

**GENERAL TERMS AND CONDITIONS**

**General Terms** : Prices are ex-works Mumbai

**HSN CODE** : 85365010 for all the products of this MRP List

**GST** : 18%

Prices are subject to revision without notice and ruling at the time of delivery.

This price list supersedes all previous Price Lists.

**Warranty Policy** : TEKNIC equipment is guaranteed under the following terms:

For a period of 12 months from the date of sale, TEKNIC guarantees that its products are free from defects in material and workmanship, with the exception of consumables rendered unserviceable through normal use. During the said period, TEKNIC will replace or repair all parts acknowledged as defective due to factory workmanship and which have been returned in a timely manner by Buyer to TEKNIC and all costs and duties paid, together with a detailed description of the failure and a certified declaration of the number of hours of operation. Repaired or replaced parts will be redelivered FCA (named place) as per INCOTERMS 2000. This warranty is subject to the provision of correct usage, proper maintenance and does not cover defects arising out of fire, faulty operation, accident, inefficient maintenance and willful or accidental damage.

TEKNIC guarantee applies to all equipment, parts and components stored, installed, protected, maintained and used in accordance with TEKNIC specifications and instructions, and respecting the rules for normal use, without any modification by Buyer.

All other conditions or warranties, whether express or implied, relating to the quality and operation of the equipment are excluded, as well as any liability for loss or damage caused directly or indirectly by the equipment or resulting from its use.

Proof of purchase to be provided to avail warranty.

**TEKNIC ELECTRIC (I) PVT. LTD.**

**Head Office** : 703/704/705, Madhava, Bandra Kurla Complex, Bandra (E), Mumbai – 400051. Tel : +91-22-42532500

**Works** : 65, Marol Co-op. Industrial Estate Ltd., M. Vassanji Road, Andheri (East), Mumbai - 400059 Tel: +91-22-42534500

**Email** : teknic@teknic .co.in mfg@teknic.co.in **Website** : www.teknic.co.in